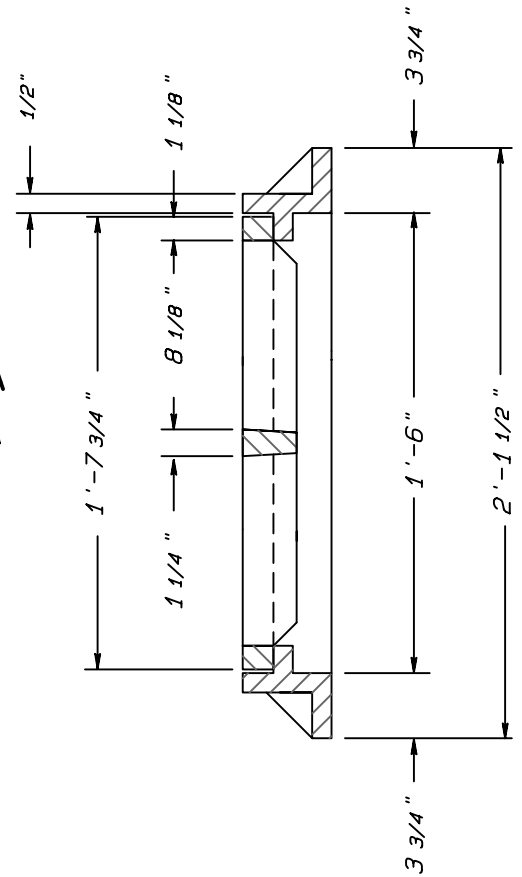
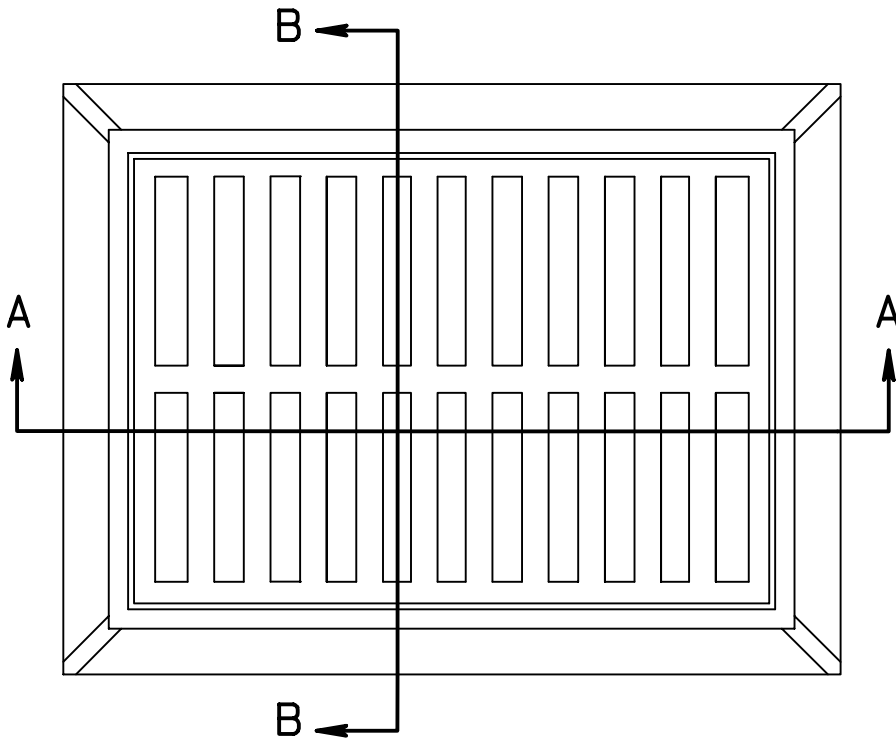
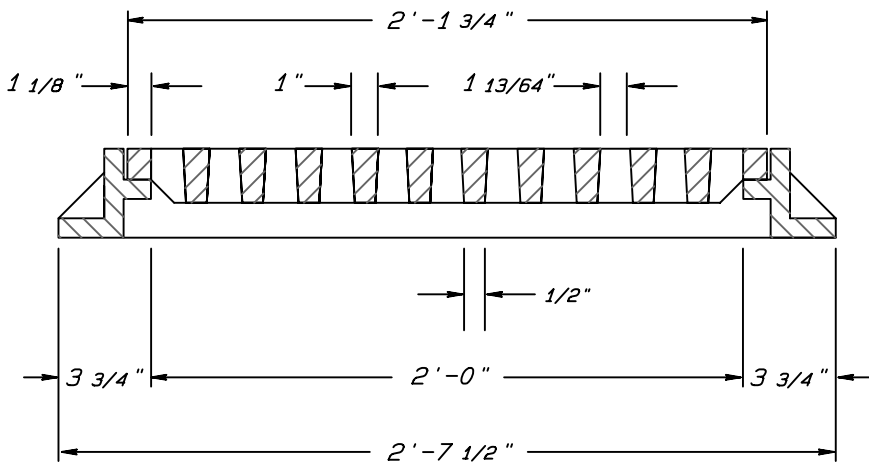


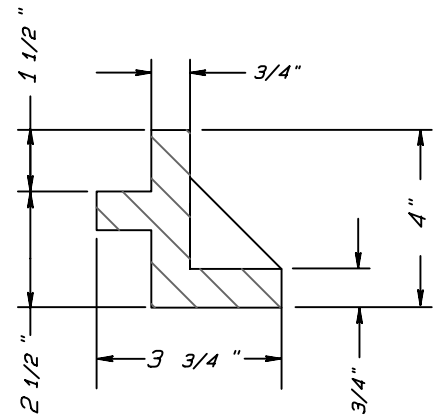
FRAME = 240 lbs.
GRATE = 110 lbs.



SECTION B-B



SECTION A-A



FRAME DETAIL

HEAD	CAPACITY
1"	1.4 cfs
3"	2.4 cfs
6"	3.4 cfs
9"	4.2 cfs
12"	4.8 cfs

V-5654

CITY OF GREENSBORO

**STANDARD 20" X 26" GRATE
AND FRAME (HEAVYWEIGHT)**

STD. NO.

405

REV.

01-97
08-08