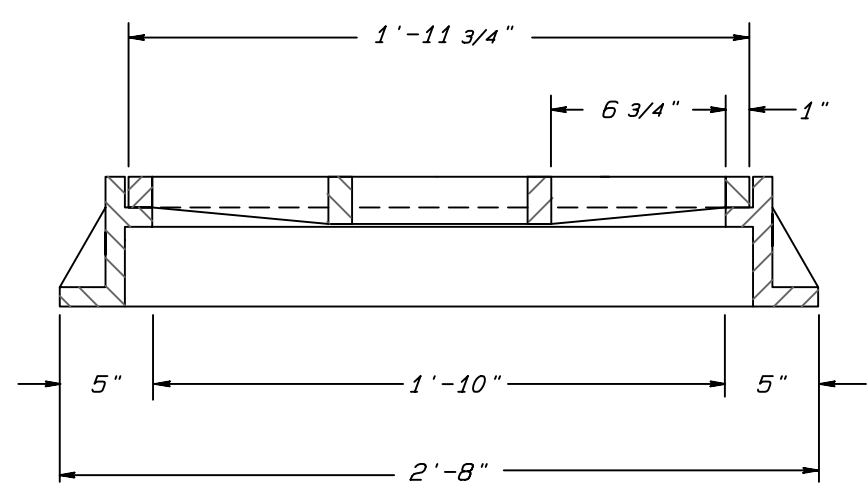
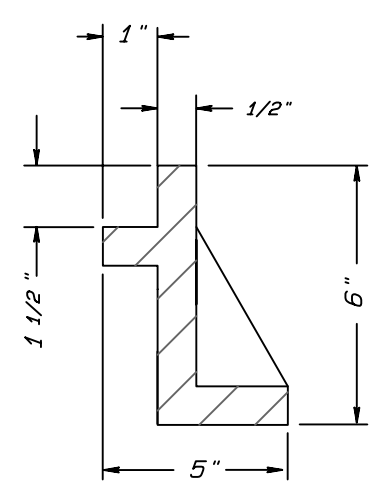


SECTION B-B



SECTION A-A



FRAME DETAIL

HEAD	CAPACITY
1"	1.8 cfs
3"	3.1 cfs
6"	4.4 cfs
9"	5.4 cfs
12"	6.3 cfs

CB-3A
 V-4875-1 (FLAT)
 V-4875-2 (CONCAVE)
 USF 6259/4134

CITY OF GREENSBORO

**STANDARD 24" X 24" GRATE
 AND FRAME (HEAVYWEIGHT)**

STD. NO.	REV.
407	01-97 08-08
	10-97
	03-98