

**PLAN**

**NOTES:**

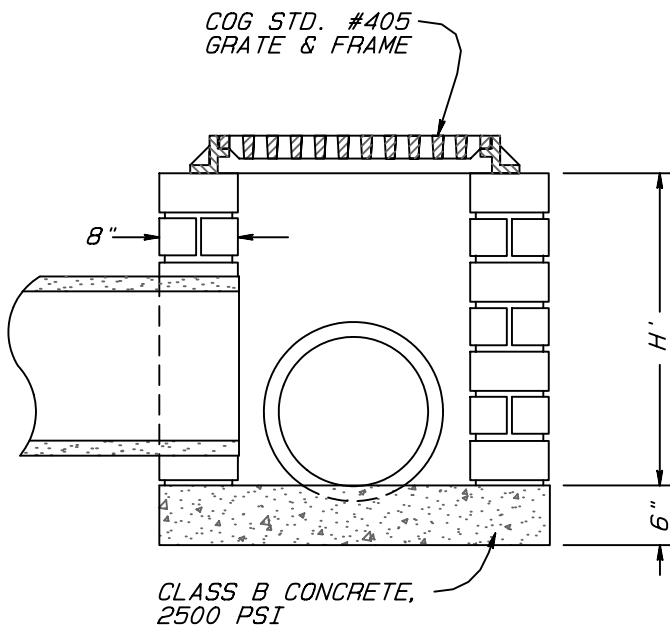
BRICK MASONRY CAN BE COMMON CLAY BRICK, JUMBO BRICK, OR CONCRETE BRICK.

CONCRETE BOTTOMS SHALL BE PAID AS BRICK MASONRY.

ALL MORTAR JOINTS ARE TO BE 1/2" + 1/8".

FOR DEPTHS OVER 3'-6" USE STEPS ON 16" CENTERS. STEPS SHALL BE IN ACCORDANCE WITH COG STD. #414.

FOR PRECAST CONCRETE MODELS OF THIS STRUCTURE, THE MANUFACTURER SHALL STAMP OR STENCIL ITS LOGO OR NAME ON THE INSIDE AND OUTSIDE OF THE STRUCTURE.



**SECTION A-A**

QUANTITIES	
BASE (C. Y.)	H' (PER FT. HEIGHT)
0.190	0.242

DEDUCTIONS FOR ONE PIPE		
PIPE SIZE	C. M.	R. C.
12"	0.020	0.032
15"	0.031	0.047
18"	0.044	0.065

**CITY OF GREENSBORO**

**STANDARD BRICK MASONRY DROP INLET 20" X 26" GRATE**

STD. NO.	REV.
<b>409</b>	09-95 08-02 12-07