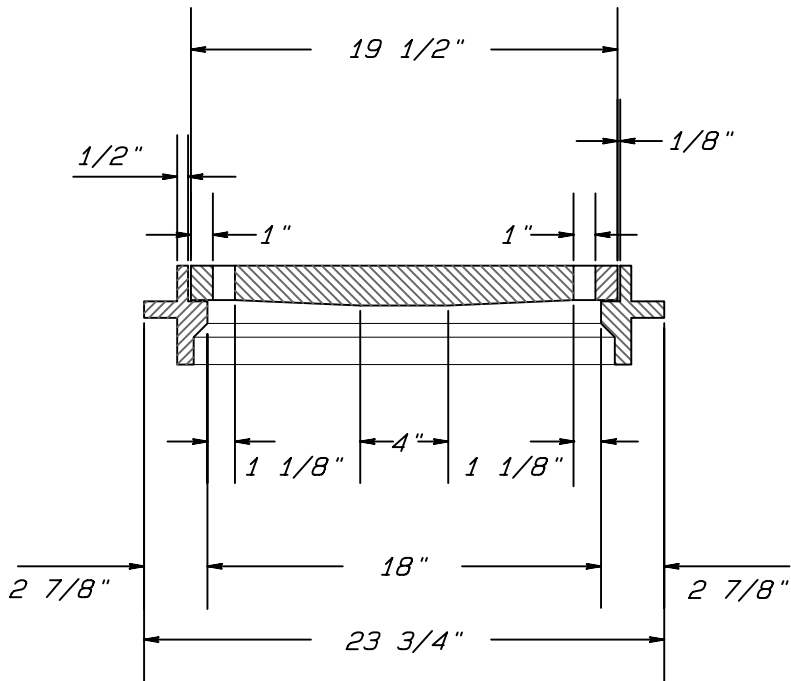
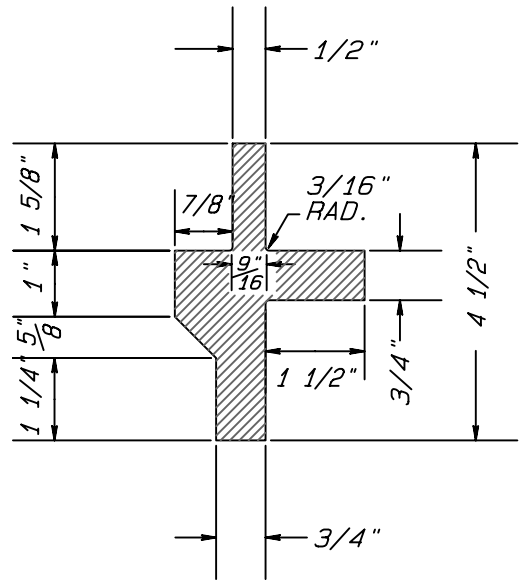


PLAN



SECTION A-A



SECTION B-B

MH-RCR 47L  
 CAPITAL - 1662L  
 US FOUNDRY A5098  
 US FOUNDRY A5117

NOTE:  
 THE CITY OF GREESBORO LOGO SHALL BE CAST INTO ALL LIDS

**CITY OF GREENSBORO**

**STANDARD INLET RING AND COVER**

STD. NO.	REV.
411	03-97 06-99
	10-97 03-01
	03-98 03-08