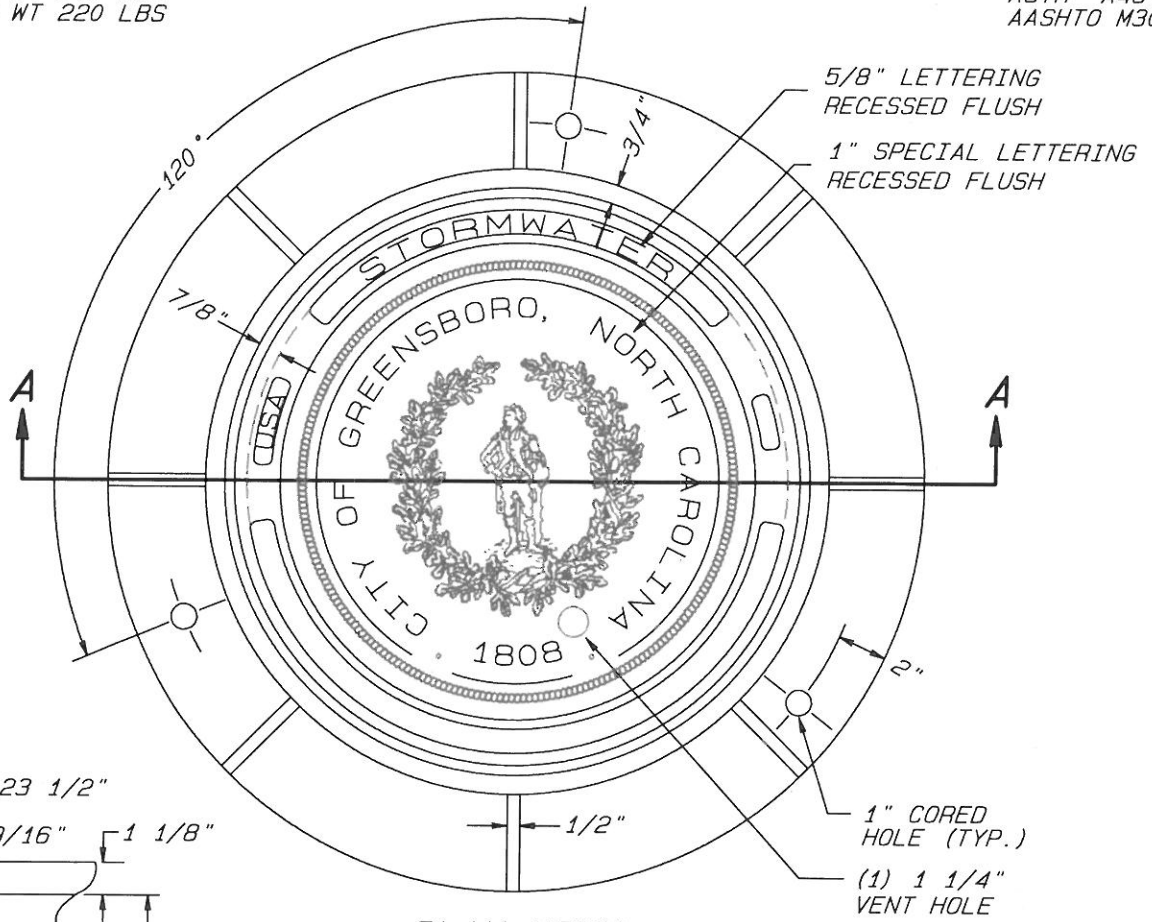


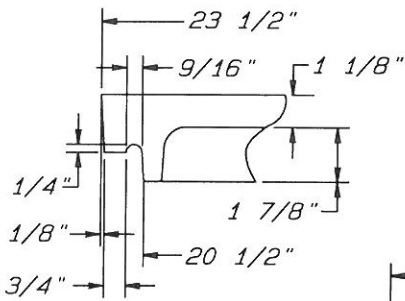
* DIGITAL FILE 10 Jun 2013

COVER = MIN WT 147 LBS
FRAME = MIN WT 220 LBS

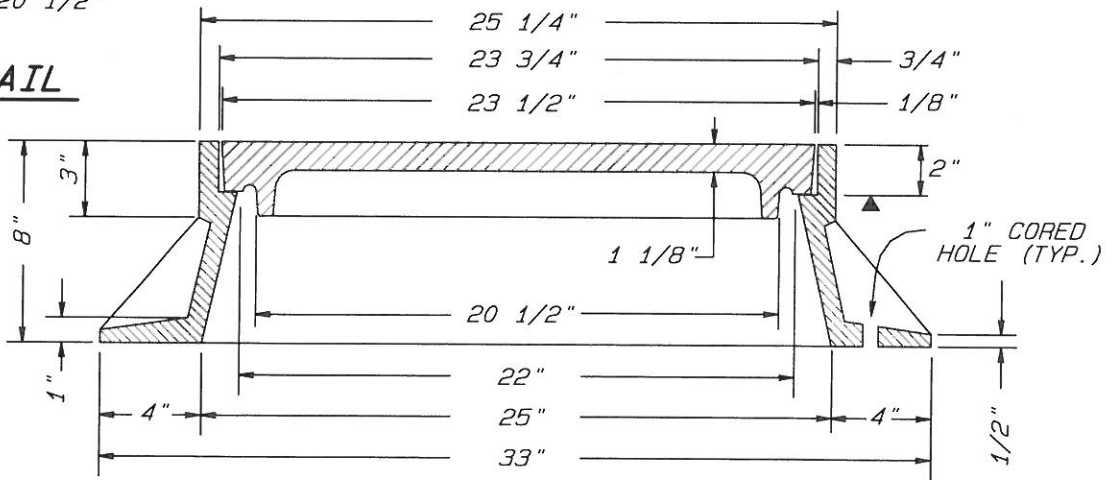
ASTM A48-CL35
AASHTO M306



PLAN VIEW



DETAIL



SECTION A-A

NOTES:

1. ALL DIMENSIONS AND TOLERANCES ARE TO BE CONCENTRIC AND WILL SUPERSEDE ANY ASTM STANDARDS WITH A MAXIMUM VARIATION $\pm 1/16"$ ON ALL DIMENSIONS.
2. MANHOLE RING TO BE ANCHORED WITH 1/2" REDHEAD STAINLESS STEEL ANCHORS AND SEALED BETWEEN RING AND CONE WITH BITUMASTIC SEALER.
3. THE CITY OF GREENSBORO LOGO SHALL BE CAST INTO ALL LIDS.

▼ MACHINED BEARING SURFACE

CITY OF GREENSBORO

STANDARD MANHOLE RING AND COVER

STD. NO.	REV.
413	03-01 03-08
	08-02 06-13
	12-05

G:\Standard Drawings\Roadway\CDG413.pro