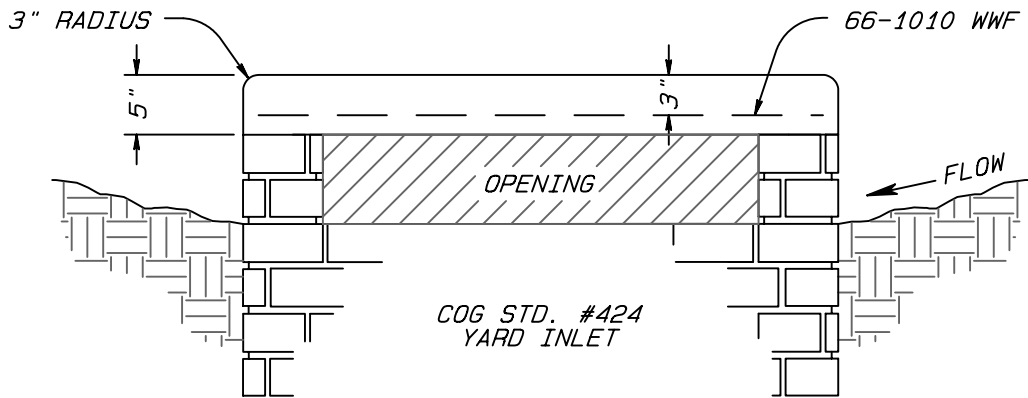


PLAN



SECTION

NOTES:

CONCRETE SHALL BE CLASS A, 3000 PSI.

TOP SHALL HAVE SMOOTH FINISH.

THE MANUFACTURER SHALL STAMP OR STENCIL ITS LOGO OR NAME ON AT LEAST ONE EDGE OF THE TOP.
---

**CITY OF GREENSBORO**

**STANDARD 4' X 4' PRECAST CONCRETE  
YARD INLET COVER WITH RING & COVER**

**STD. NO.**

**425**

**REV.**

12-07