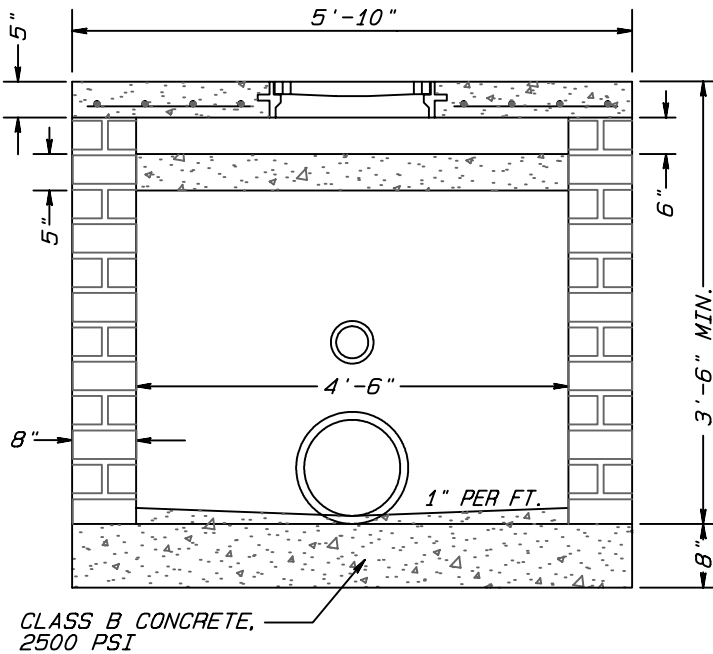
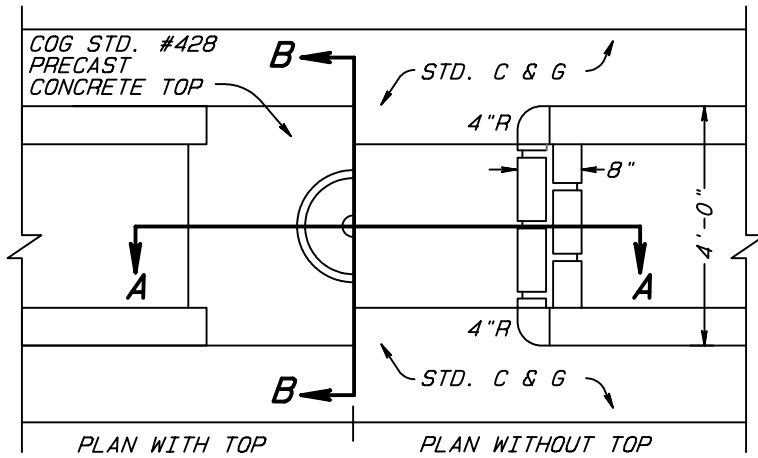


**NOTES:**

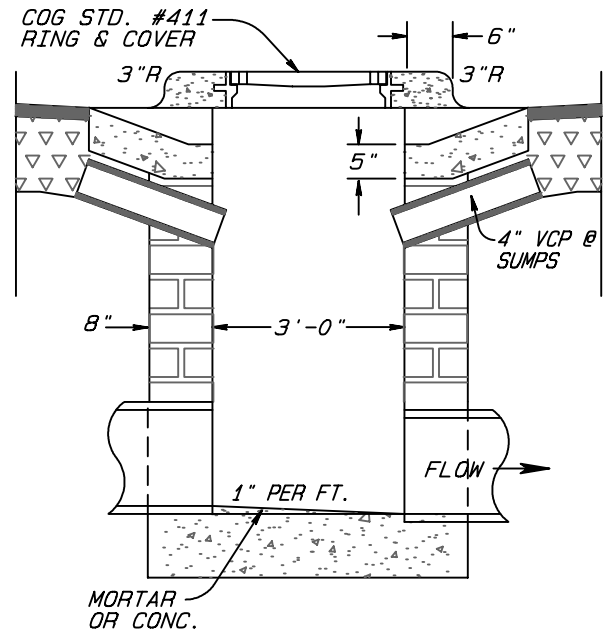
ALL MORTAR JOINTS ARE TO BE  $1/2" \pm 1/8"$ .

BRICK MASONRY CAN BE STANDARD CLAY BRICK, JUMBO BRICK OR CONCRETE BRICK.

FOR DEPTHS OVER 4'-0" USE STEPS ON 16" CENTERS. STEPS SHALL BE IN ACCORDANCE WITH COG STD. #414.



**SECTION A-A**



**SECTION B-B**

**CITY OF GREENSBORO**

**STANDARD BRICK MASONRY CURB INLET FOR MEDIANS**

STD. NO.	REV.
427	08-02