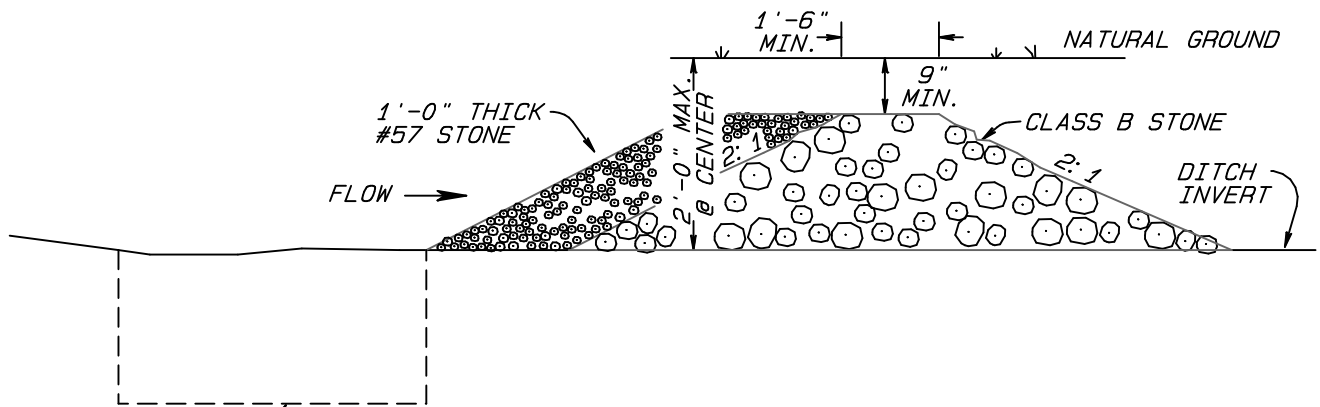
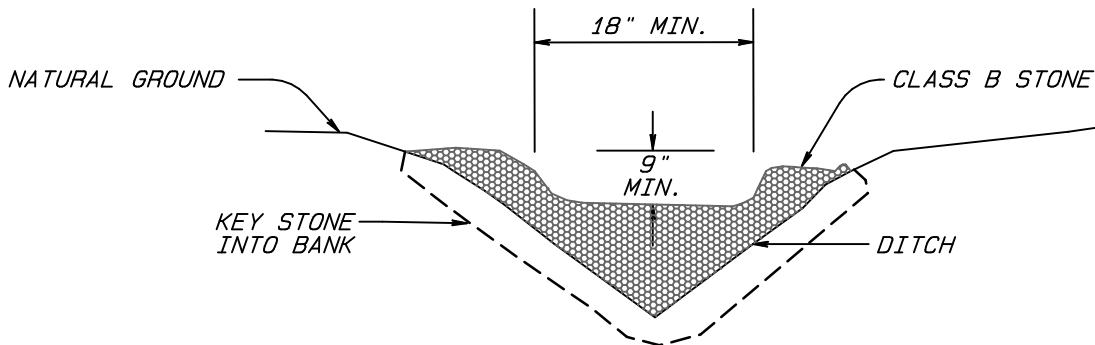


ISOMETRIC VIEW



OPTIONAL TYPE B SILT BASIN (SEE NCDOT DGN 1630.02)

TYPICAL LONGITUDINAL SECTION



TYPICAL CROSS SECTION

NOTES:

ENSURE THAT THE DRAINAGE AREA ABOVE THE CHECK DAM DOES NOT EXCEED 1/4 ACRE WITHOUT TYPE B BASIN (2 ACRES MAXIMUM)

STABILIZE OVERFLOW AREAS ALONG THE CHANNEL TO RESIST EROSION CAUSED BY CHECK DAMS.

CITY OF GREENSBORO

**STANDARD TEMPORARY
STONE DITCH CHECK**

STD. NO.

432

REV.

12/06 09/10
06/09
12/09