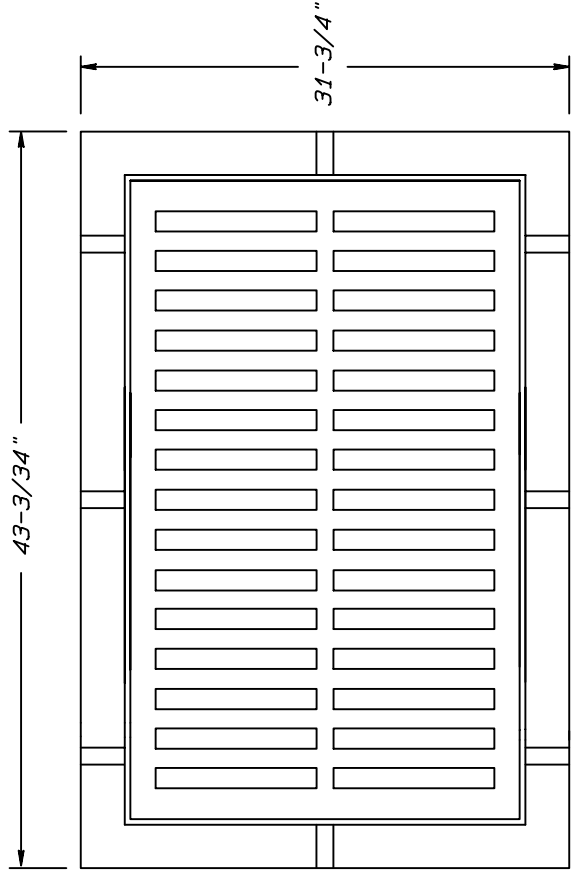
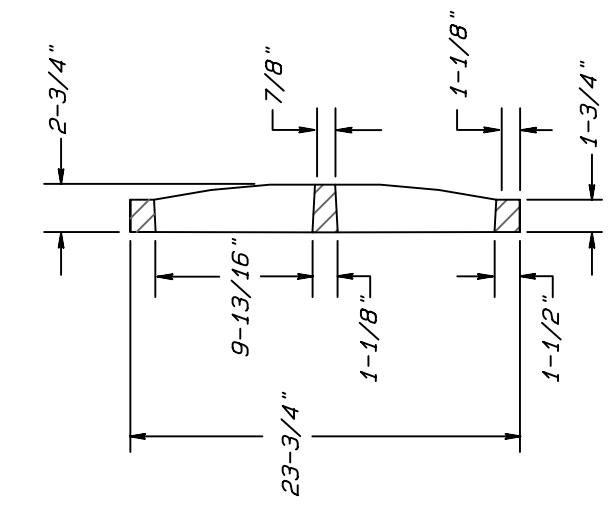
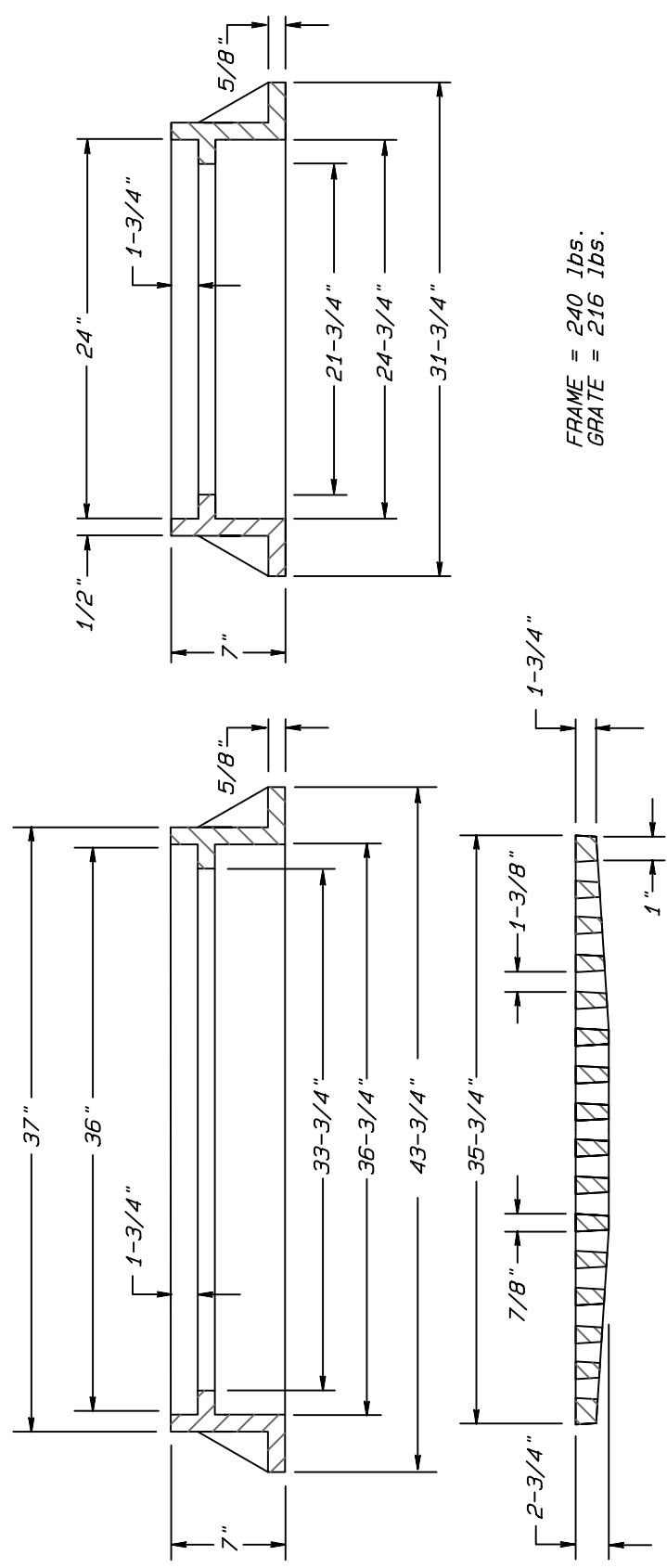


USF-4137-6237  
 CB-2000  
 V-4867



HEAD	CAPACITY
1"	2.6 cfs
3"	4.5 cfs
6"	6.4 cfs
9"	7.85 cfs
12"	9.0 cfs

**CITY OF GREENSBORO**

STANDARD 24" X 36" GRATE AND FRAME  
 (HEAVYWEIGHT)

STD. NO.	REV.
434	08-08