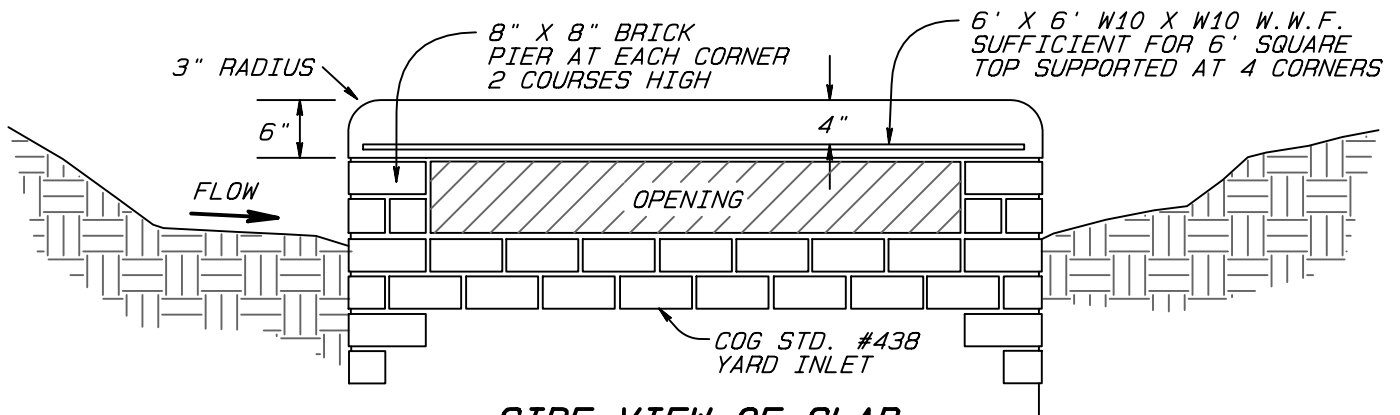


PLAN OF TOP SLAB



SIDE VIEW OF SLAB

NOTES:

CONCRETE SHALL BE CLASS A, 3000 PSI.

TOP SHALL HAVE A SMOOTH FINISH.

YARD INLET COVER TO BE PAID AS FURNISH
& INSTALL 6' X 6' YARD INLET COVER,
COG STD. #439

THE MANUFACTURER SHALL STAMP OR
STENCIL ITS LOGO OR NAME ON AT
LEAST ONE EDGE OF THE TOP.

CITY OF GREENSBORO

**STANDARD 6' X 6' PRECAST CONCRETE
YARD INLET COVER WITH RING & COVER**

STD. NO.

439

REV.

10-01
12-07