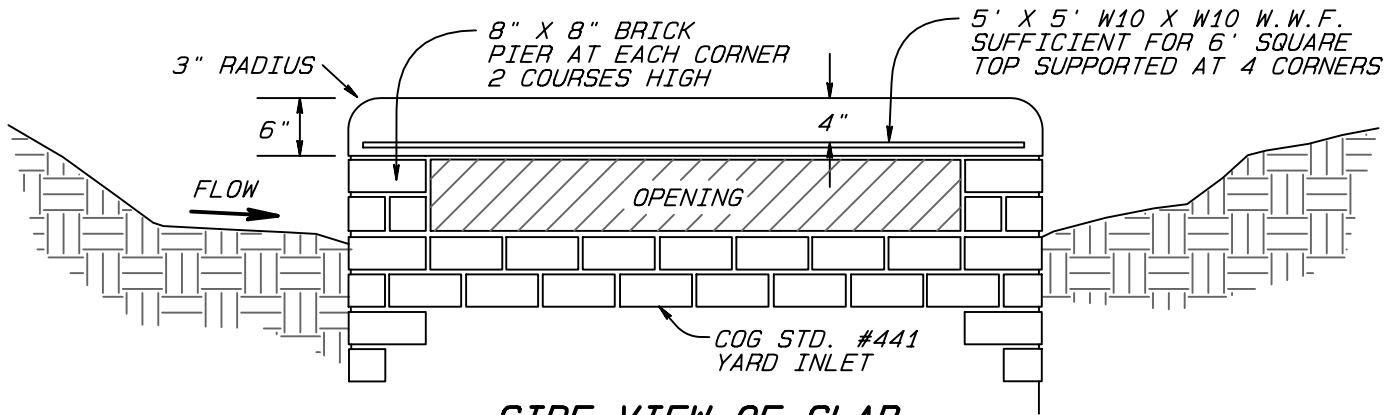


COG STD. #411
RING & COVER
FLUSH WITH SURFACE

PLAN OF TOP SLAB



SIDE VIEW OF SLAB

NOTES:

CONCRETE SHALL BE CLASS A, 3000 PSI.

TOP SHALL HAVE A SMOOTH FINISH.

YARD INLET COVER TO BE PAID AS FURNISH
& INSTALL 5' X 5' YARD INLET COVER,
COG STD. #442

THE MANUFACTURER SHALL STAMP OR
STENCIL ITS LOGO OR NAME ON AT
LEAST ONE EDGE OF THE TOP.

CITY OF GREENSBORO

**STANDARD 5' X 5' PRECAST CONCRETE
YARD INLET COVER WITH RING & COVER**

STD. NO.

REV.

442

12-07