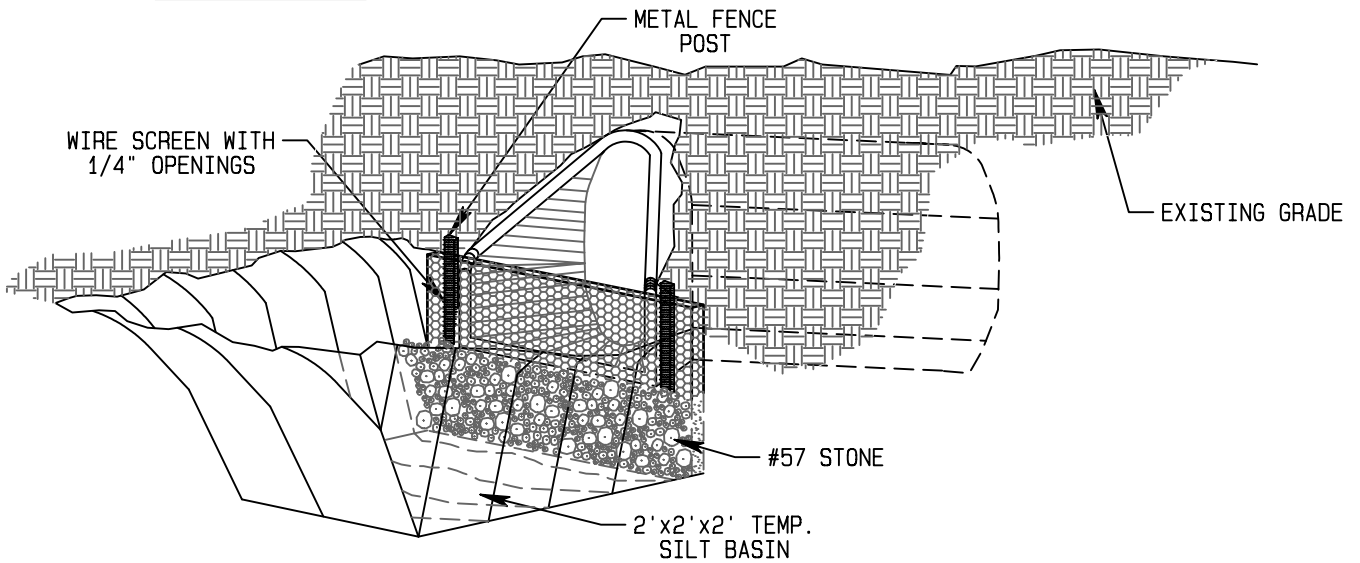


PLAN VIEW

SECTION VIEW



ISOMETRIC VIEW

NOTES:

1. THIS MEASURE IS USED WHERE A DISTURBED DITCH FLOWS INTO A PROPOSED F.E.S.
2. WIRE SCREEN SHALL BE 3/4" AND THE BOTTOM SHALL BE TRENCHED A MINIMUM OF 6" INTO THE GROUND AND HELD IN PLACE WITH #57 STONE.
3. ONCE DITCH IS STABILIZED, REMOVE WIRE SCREEN AND FILL BASIN WITH SUITABLE MATERIAL. INSTALL EXCELSIOR MATTING OVER BASIN TO STABILIZE FILL.

CITY OF GREENSBORO

INLET PROTECTION FOR F.E.S.

STD. NO.	REV.
443-A	06-05