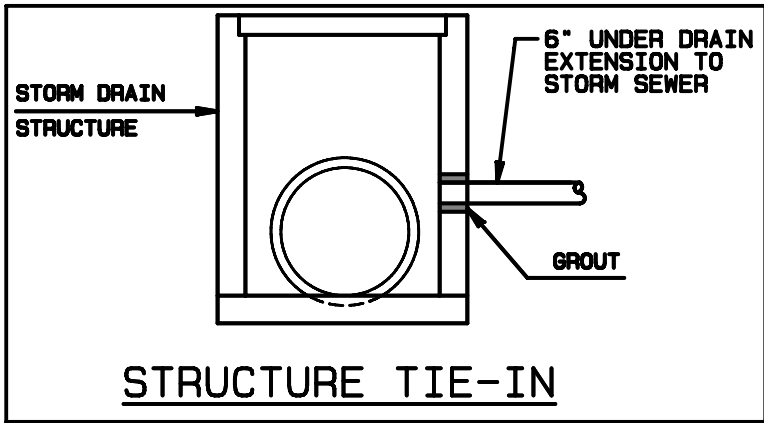
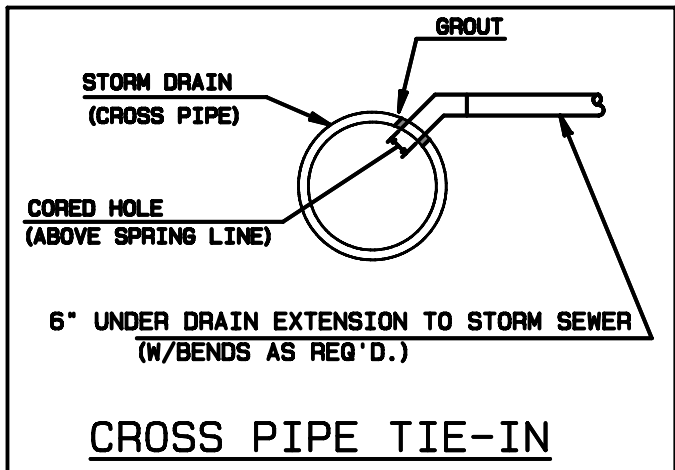


\*\* WHEN PASSING UNDERNEATH ASPHALT, THE UNDERDRAIN SHALL BE A SOLID DUCTILE IRON PIPE WITH A MINIMUM COVER OF 1.0 FT BELOW THE BASE COURSE.



**CITY OF GREENSBORO**

TYPICAL UNDER DRAIN  
DETAIL FOR GRASS MEDIANS

STD. NO.	REV.
444	06-07