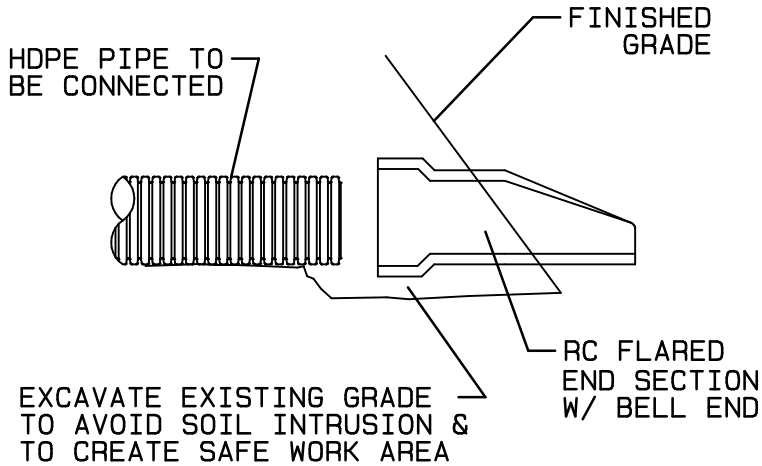
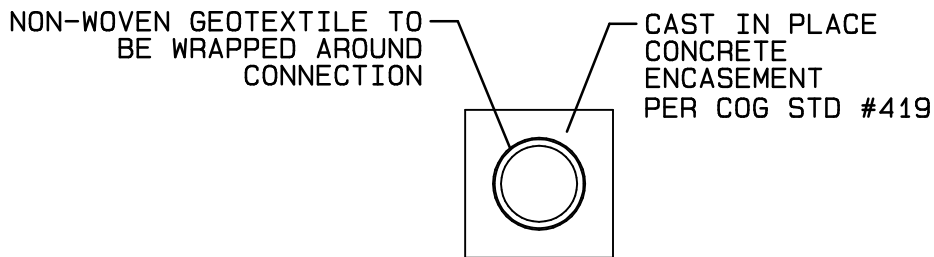
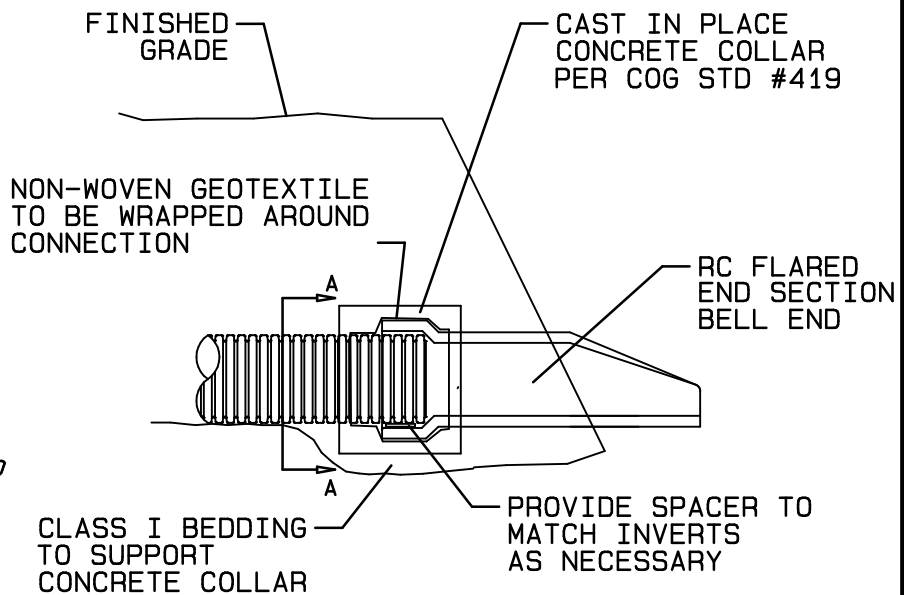


CONNECTION DETAIL FOR HDPE PIPE TO RC FLARED END SECTION BELL END



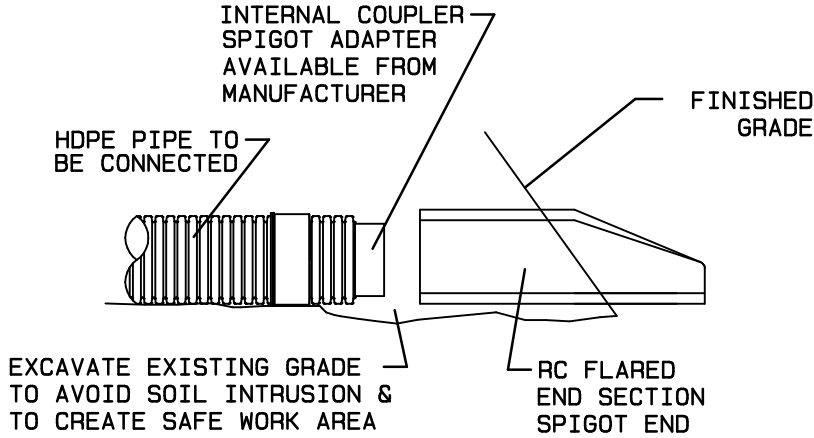
NOTES:

1. CONNECTION AND PIPE TO BE BACKFILLED PER NCDOT STD. DRAWING 300.01
2. HDPE PIPE SYSTEMS CAN BE CONNECTED TO RC FLARED END SECTIONS USING THIS METHOD. CHANGE OF MATERIAL IN A PIPE RUN IS NOT ALLOWED. MATERIAL CHANGES ARE ALLOWED ONLY AT MANHOLES OR INLET STRUCTURES.
3. HDPE FLARED END SECTIONS ARE NOT ALLOWED.
4. GEOTEXTILE FABRIC SHALL MEET REQUIREMENTS OF TYPE 4 ENGINEERED FABRICS UNDER SECTION 1056 OF NCDOT STANDARD SPECIFICATIONS.



SECTION "A-A"

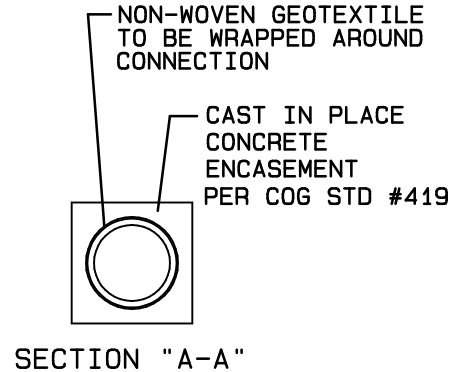
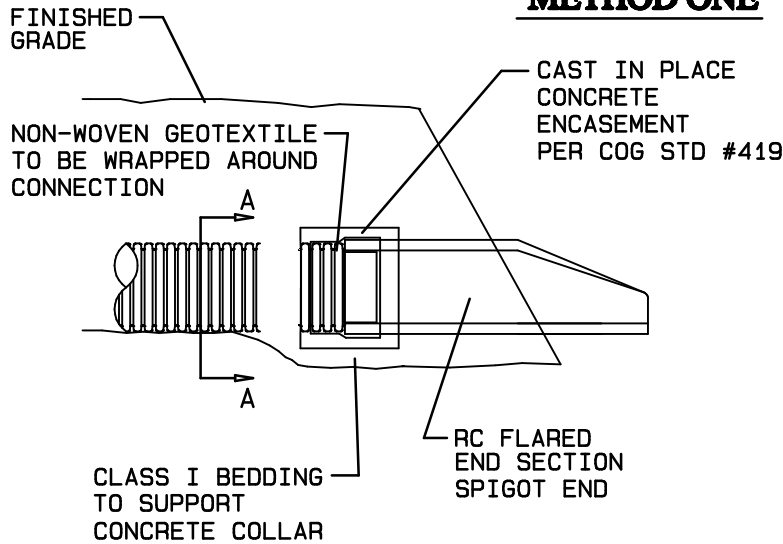
CONNECTION DETAIL FOR HDPE PIPE TO RC FLARED END SECTION SPIGOT END



NOTES:

1. CONNECTION AND PIPE TO BE BACKFILLED PER NCDOT STANDARD DRAWING 300.01.
2. HDPE PIPE SYSTEMS CAN BE CONNECTED TO RC FLARED END SECTIONS USING THIS METHOD. CHANGE OF MATERIAL IN A PIPE RUN IS NOT ALLOWED. MATERIAL CHANGES ARE ALLOWED ONLY AT MANHOLES OR INLET STRUCTURES.
3. HDPE FLARED END SECTIONS ARE NOT ALLOWED.
4. GEOTEXTILE FABRIC SHALL MEET REQUIREMENTS OF TYPE 4 ENGINEERED FABRICS UNDER SECTION 1056 OF NCDOT STANDARD SPECIFICATIONS.
5. THE INTERNAL COUPLER SPIGOT ADAPTER IS AVAILABLE FROM THE HDPE PIPE MANUFACTURER.
6. USE EITHER METHOD ONE OR METHOD TWO.

METHOD ONE



METHOD TWO

