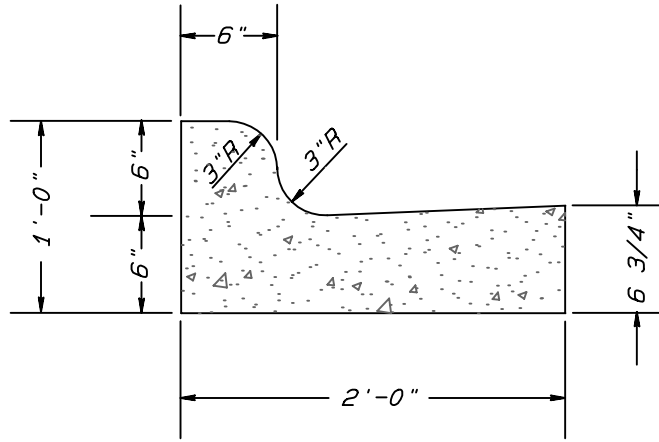
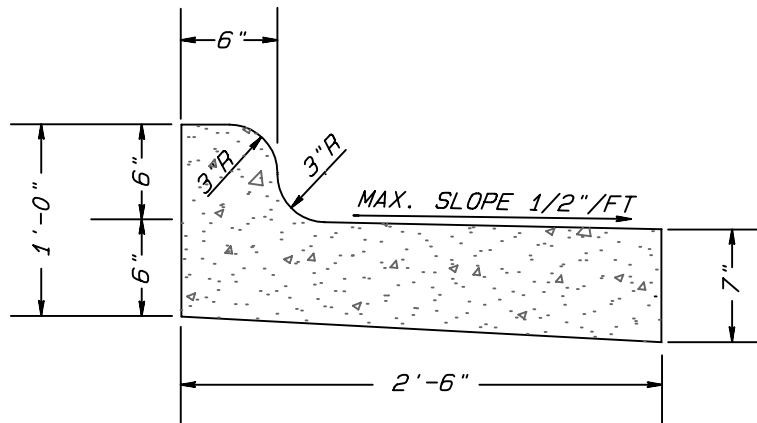


2'-6" CONCRETE CURB AND GUTTER



2'-0" CONCRETE CURB AND GUTTER



2'-6" CONCRETE SPILL CURB AND GUTTER

**CITY OF GREENSBORO**

**STANDARD CONCRETE CURB AND GUTTER**

**STD. NO.**

**REV.**

**501**

03-01