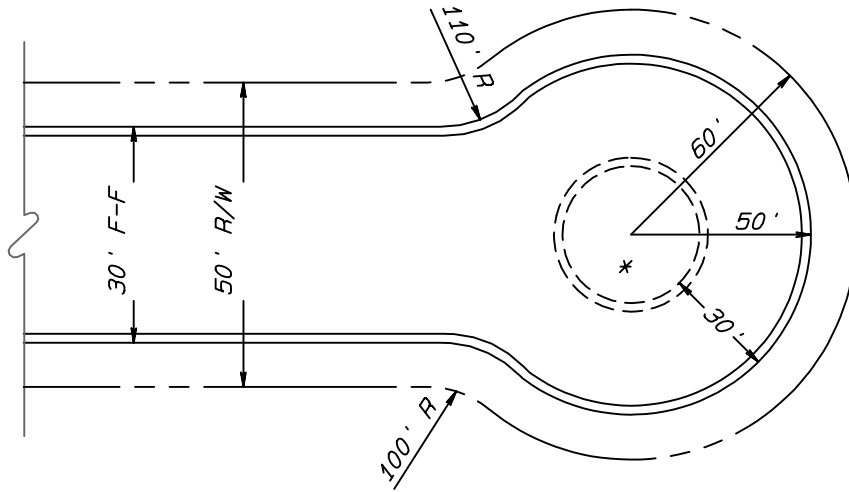


*NOTE:

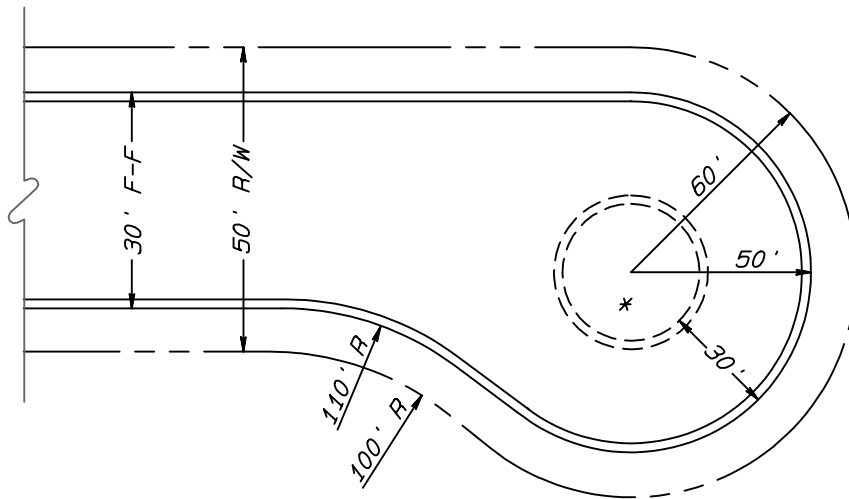
OPTIONAL ISLAND TO ME MAINTAINED BY HOMEOWNERS ASSOCIATION.



STANDARD CUL-DE-SAC

*NOTE:

OPTIONAL ISLAND TO ME MAINTAINED BY HOMEOWNERS ASSOCIATION.



OFFSET CUL-DE-SAC

CITY OF GREENSBORO

STANDARD CUL-DE-SACS

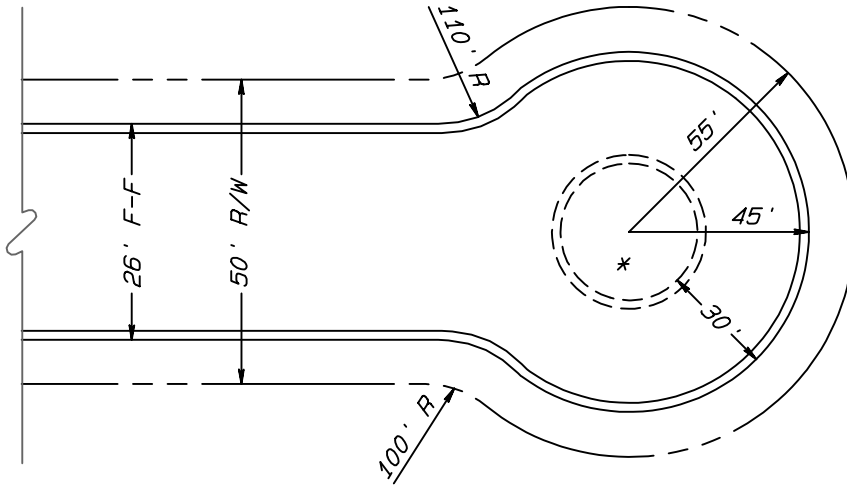
STD. NO.	REV.
503	01-91

*NOTE:

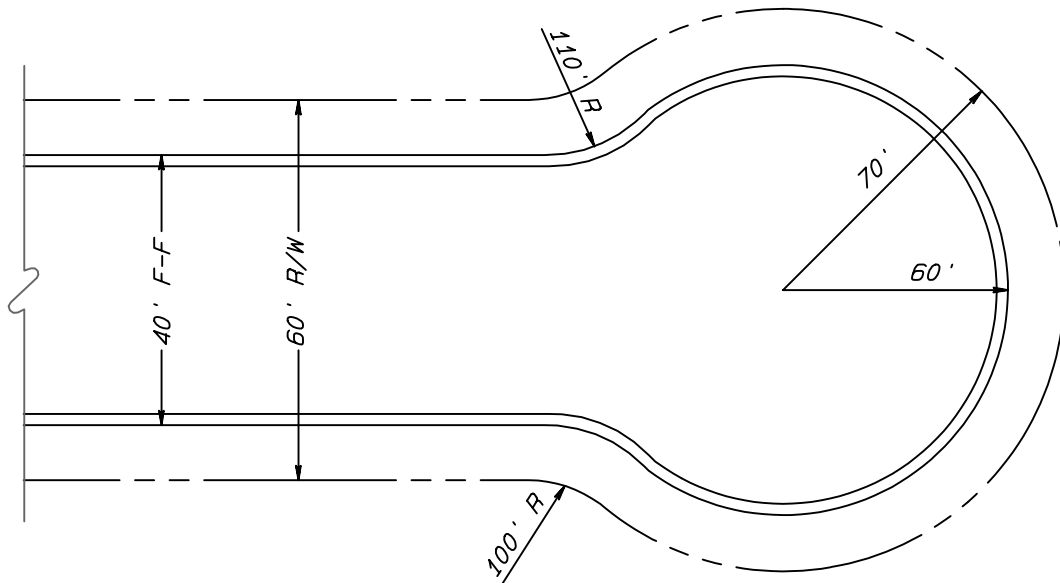
OPTIONAL ISLAND TO BE MAINTAINED BY HOMEOWNERS ASSOCIATION.

MAXIMUM LENGTH - 600 FEET

MAXIMUM 20 SINGLE DWELLING UNITS
(INCLUDING CORNER LOTS)



MODIFIED CUL-DE-SAC



INDUSTRIAL CUL-DE-SAC

CITY OF GREENSBORO

STANDARD CUL-DE-SACS

STD. NO.

REV.

503

01-91