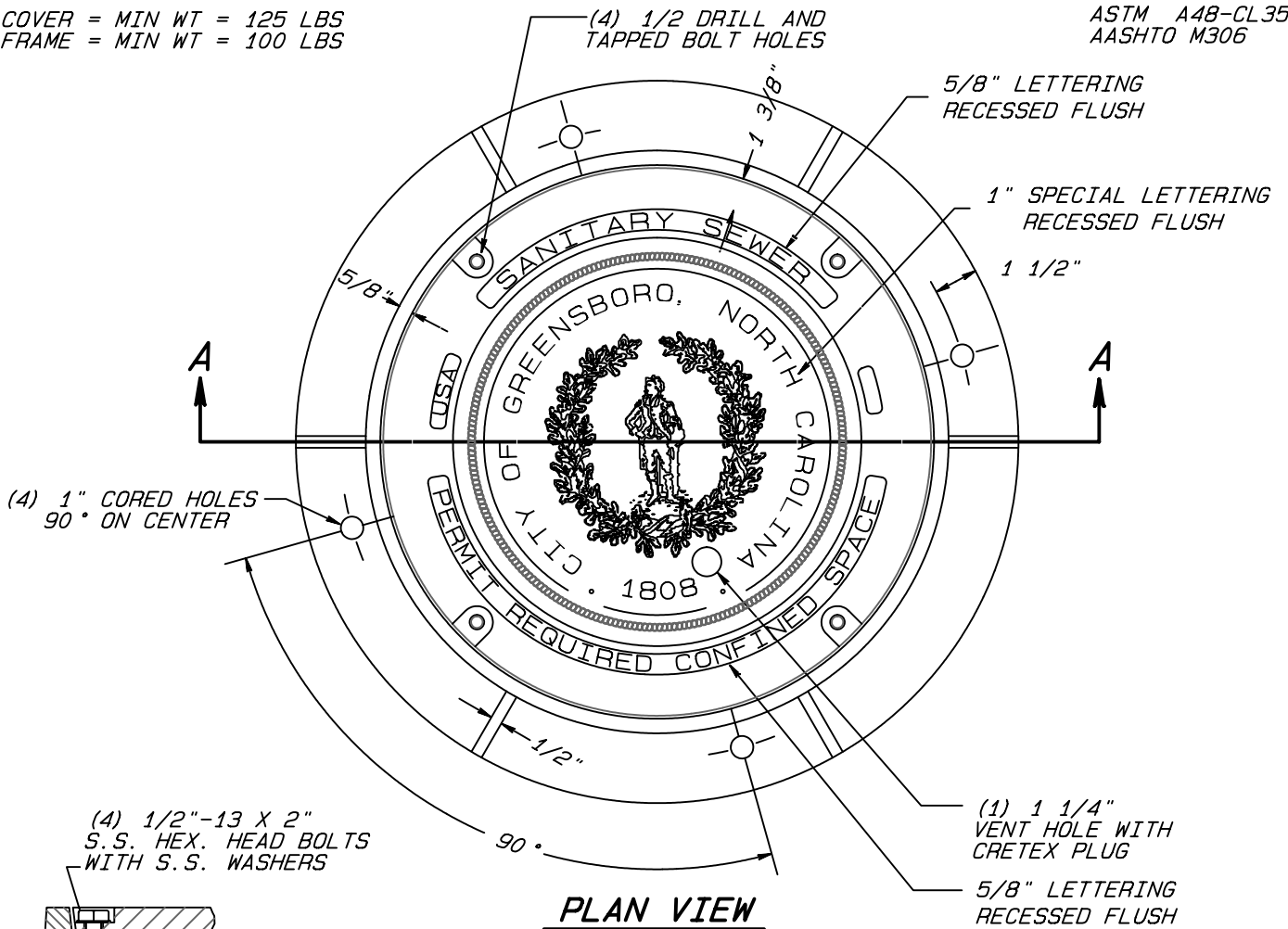
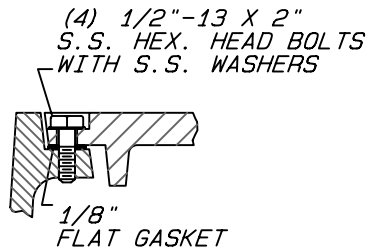


COVER = MIN WT = 125 LBS  
 FRAME = MIN WT = 100 LBS

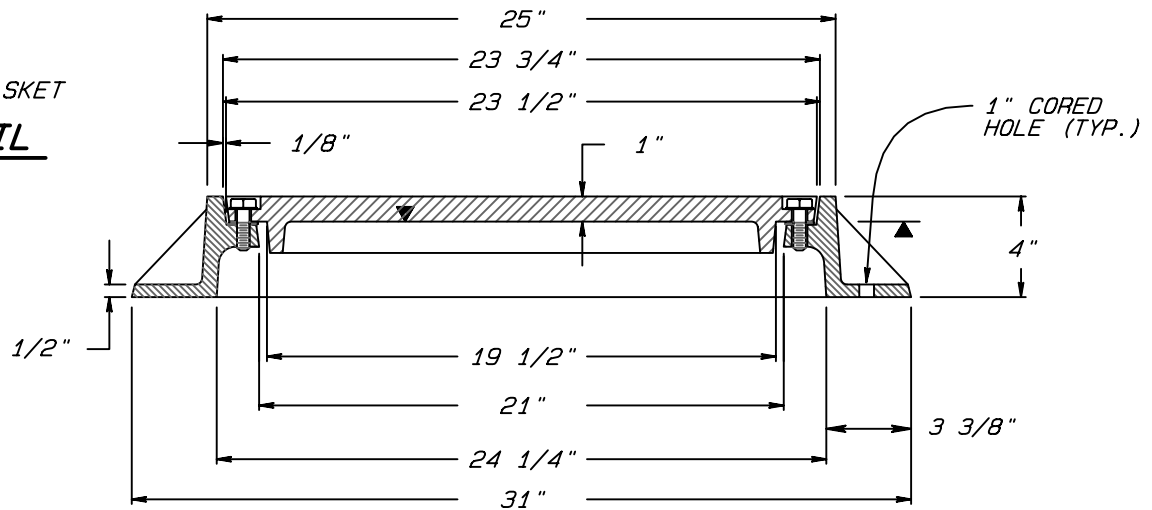
ASTM A48-CL35  
 AASHTO M306



**PLAN VIEW**



**DETAIL**



**SECTION A-A**

**NOTES:**

ALL DIMENSIONS AND TOLERANCES ARE TO BE CONCENTRIC AND WILL SUPERSEDE ANY ASTM STANDARDS WITH A MAXIMUM VARIATION ± 1/16" ON ALL DIMENSIONS.

MANHOLE RING TO BE ANCHORED WITH 1/2" REDHEAD STAINLESS STEEL ANCHORS AND SEALED BETWEEN RING AND CONE WITH BITUMASTIC SEALER.

▼ MACHINED BEARING SURFACE

**CITY OF GREENSBORO**

**STANDARD WATERTIGHT MANHOLE  
 RING AND COVER**

STD. NO.	REV.
205-B	MAR-97 DEC-05
	MAR-98
	MAR-01