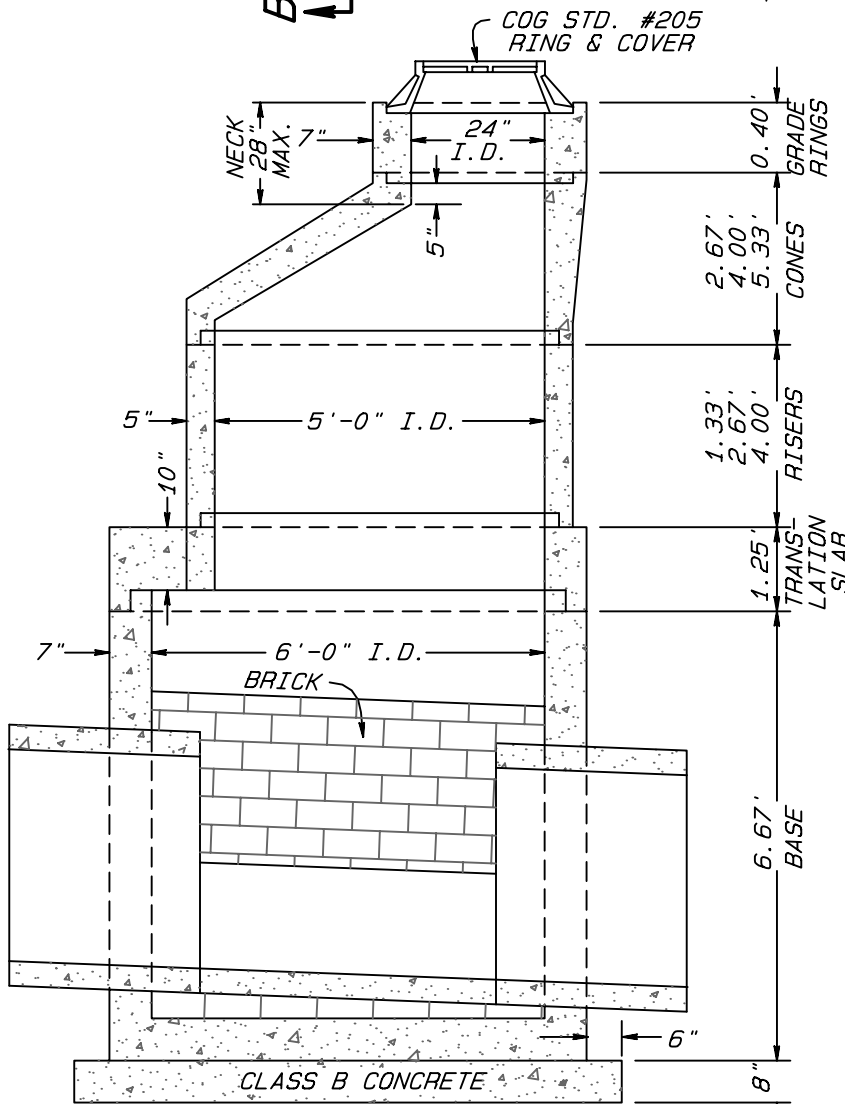


**SECTION B-B**



**SECTION A-A**

**NOTES:**

CONCRETE SHALL BE CLASS AA, 4000 PSI AS PER ASTM C-478.

STEEL REINFORCING SHALL MEET ASTM A-615.

EIGHT INCH CONCRETE BOTTOM TO BE POURED AFTER MANHOLE IS SET IN PLACE ON BRICKS.

MAXIMUM USABLE PIPE DIAMETER FOR THIS MANHOLE IS 48 INCHES.

ON NEW INSTALLATION A MAX. OF TWO GRADE RINGS SHALL BE USED.

REFER TO SECTION 2.10 OF THE COG "WATER LINE AND SEWER LINE CONSTRUCTION" STANDARD SPEC'S. FOR JOINT SPECIFICATIONS.

**CITY OF GREENSBORO**

**STANDARD 6' I.D. ECCENTRIC PRECAST CONCRETE SANITARY MANHOLE WITH MONOLITHIC BOTTOM**

**STD. NO.**

**209**

**REV.**

05-88  
08-02