

CITY OF GREENSBORO

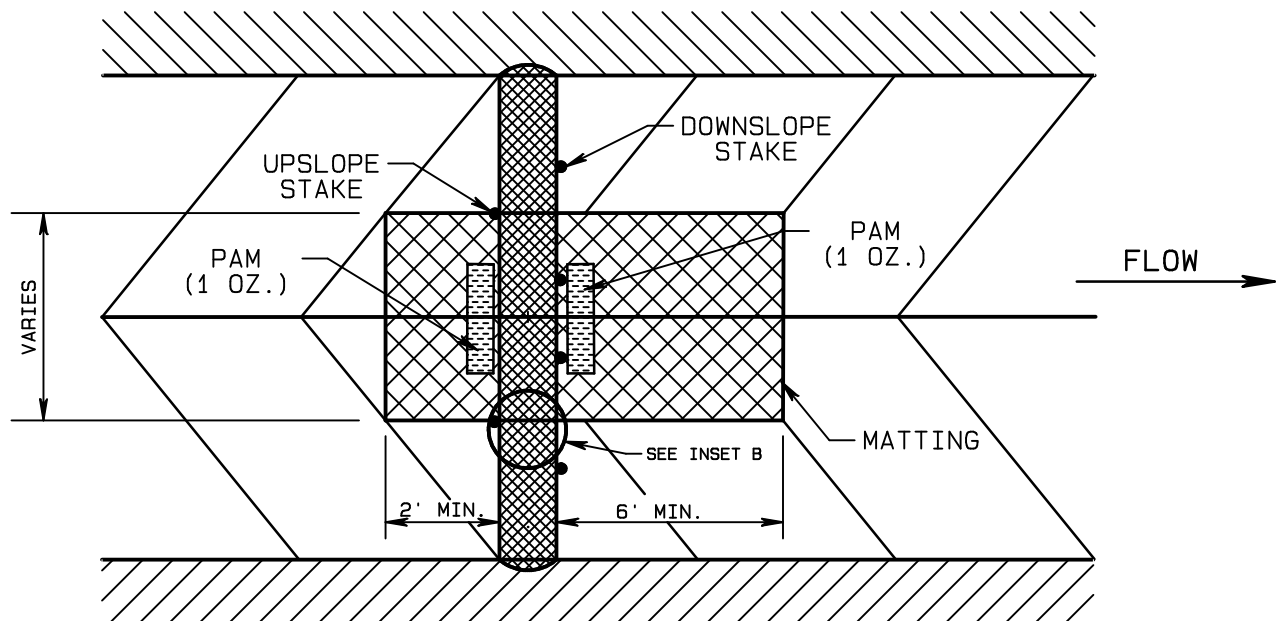
WATTLE WITH POLYACRYLAMIDE (PAM)

STD. NO.

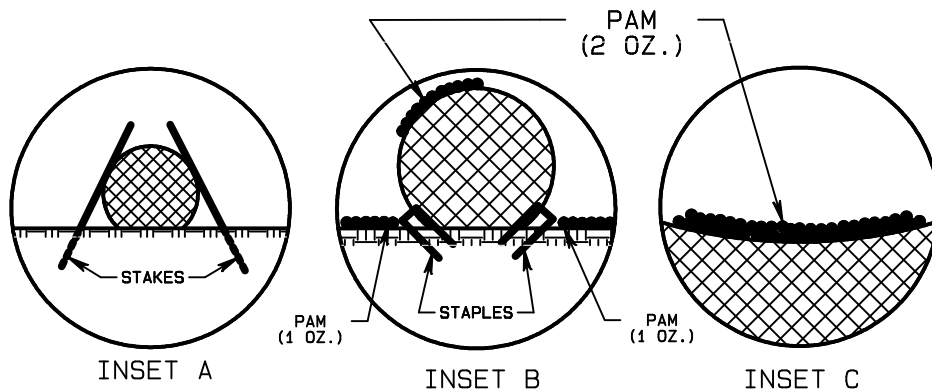
223

REV.

12/10



TOP VIEW



NOTES:

1. USE MINIMUM 12" DIA. EXCELSIOR WATTLE
2. USE 2 FT WOODEN STAKES WITH A 2" X 2" NOMINAL CROSS SECTION.
3. ONLY INSTALL WATTLE(S) IN DITCH SUCH THAT FLOW PASSES OVER THE WEIR FORMED IN THE CENTER OF THE WATTLE AND NOT AROUND THE WATTLE TO PREVENT BANK EROSION.
4. INSTALL A MINIMUM OF 2 UPSLOPE STAKES AND 4 DOWNSLOPE STAKES AT AN ANGLE TO WEDGE WATTLE TO BOTTOM OF DITCH.
5. PROVIDE STAPLES MADE OF 0.125" DIA. STEEL WIRE FORMED INTO A U SHAPE NOT LESS THAN 12" IN LENGTH.
6. INSTALL STAPLES APPROXIMATELY EVERY 1 LF ON BOTH SIDES OF WATTLE AND AT EACH END TO SECURE IT TO THE SOIL.
7. INSTALL MATTING IN ACCORDANCE WITH SECTION 1631 OF THE STANDARD SPECIFICATIONS.
8. PRIOR TO POLYACRYLAMIDE (PAM) APPLICATION, OBTAIN A SOIL SAMPLE FROM PROJECT LOCATION AND FROM ANY OFFSITE BORROW MATERIAL. ANALYZE FOR APPROPRIATE PAM FLOCCULANT TO BE APPLIED TO EACH WATTLE.
9. INITIALLY APPLY 2 OUNCES OF ANIONIC OR NEUTRALLY CHARGED PAM OVER WATTLE WHERE WATER WILL FLOW AND 1 OUNCE OF PAM ON MATTING ON EACH SIDE OF WATTLE. REAPPLY PAM AFTER EVERY RAINFALL EVENT THAT IS EQUAL TO OR EXCEEDS 0.50".
10. ONLY POLYACRYLAMIDES FROM THE NC-DWQ APPROVED LIST ARE TO BE USED. ANY OTHER PROPOSED FLOCCULANT REQUIRES REVIEW & APPROVAL BY THE DWQ AQUATIC TOXICOLOGY UNIT.
11. WATTLES SHOULD BE SPACED IN DITCH USING THE FORMULA:

$$\frac{[WATTLE\ DIA.\ (FT) \times 100]}{SLOPE\ (\%)}$$
12. WATTLE MATTING IS NOT REQUIRED ON DITCH LINES WHERE COMPLETE MATTING INSTALLATION IS INDICATED ON THE PLANS.

CITY OF GREENSBORO

WATTLE WITH POLYACRYLAMIDE (PAM)

STD. NO.

223

REV.

12/10