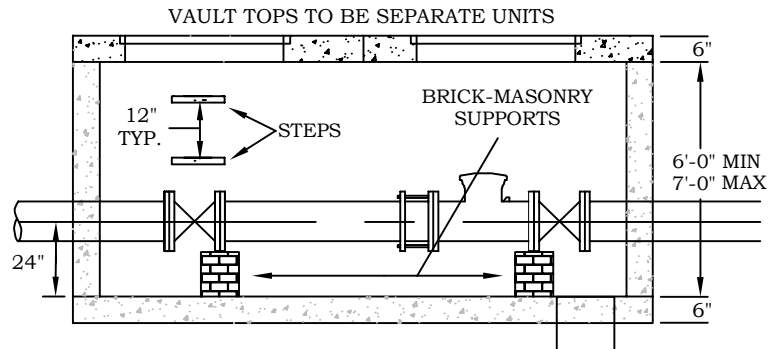


TEST CONNECTION:
INSTALL AN IPT SADDLE WITH A
6" NIPPLE AND A 2" WHEEL VALVE.

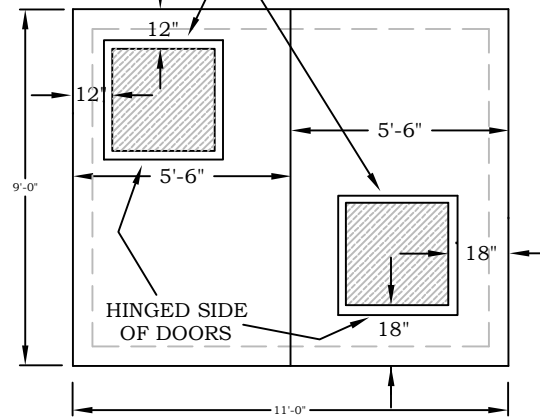


TWO (2) 6" REINFORCED CONCRETE SLAB TOPS.
ACCESS DOORS TO BE 36"x36" ALUMINUM WITH
LIFT SPRINGS AND SLAM LOCK MECHANISM. ALL
HARDWARE MANUFACTURED OF STAINLESS STEEL.
USE U.S. FOUNDRY APS 300 OR APPROVED EQUAL.

SUMP BASIN -
12" SQUARE
BY 12" DEEP

| MASTER METER ACCURACY LOW FLOW | |
|-----------------------------------|---------|
| 3" OCTAVE | 1 GPM |
| 4" OCTAVE | 1.5 GPM |
| 6" OCTAVE | 3 GPM |
| 8" OCTAVE | 5 GPM |
| 10", 12" OCTAVE | 14 GPM |

| DIMENSIONS | |
|-----------------|-----------|
| LETTER | 10" METER |
| A | 4'-9 1/2" |
| B | 13'-4" |
| C | 3'-0" |
| D | 18" |
| E | 9'-0" |
| F | 3'-0" |
| M | 1'-5 3/4" |
| S | 11'-0" |
| V | 12 1/2" |
| V-V | 7'-4" |
| SIZE BY-PASS | 10" |



SEE DWG. GSO-2
FOR DOOR DETAILS

FIRE METER RATING
IS BASED ON INSURANCE

- DO NOT CONSTRUCT VAULTS IN LOAD BEARING AREAS.
- VAULT WALLS, TOPS AND FLOORS SHALL BE MANUFACTURED OF REINFORCED CONCRETE PANELS, OR POURED CONCRETE FLOORS, BLOCK WALLS AND REINFORCED PRECAST CONCRETE TOP.
- IF BLOCK WALLS ARE USED, OUTSIDE OF WALLS SHALL BE COATED WITH THORO-SEAL, OR APPROVED EQUAL.
- INSTALL A 2" ELECTRIC SUMP PUMP AND PIPE TO OUTSIDE OF VAULT. A 4" GRAVITY DRAIN CAN BE USED IF THERE IS SUFFICIENT RELIEF FOR DRAINAGE.
- THE LOW FLOW ACCURACY OF ANY DEDUCT METER SHALL NOT EXCEED THE LOW FLOW ACCURACY OF THE MASTER METER.