

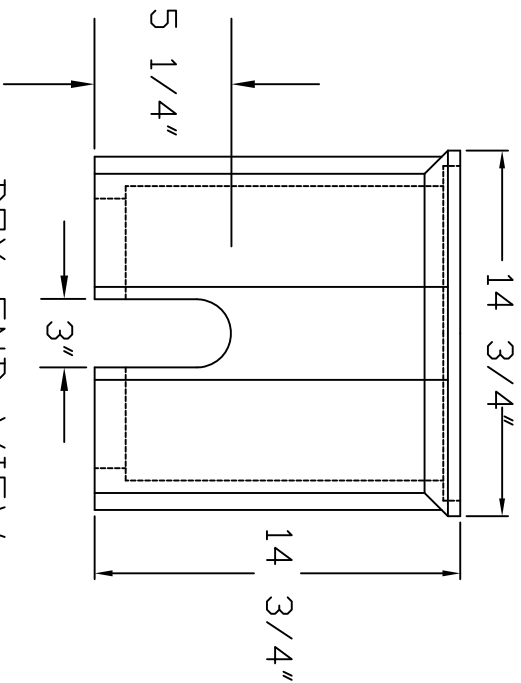
BXD SECTION VIEW

MB-1 METER BOX WITH TWO
 PIECE LOCK DOWN COVER
 AS MANUFACTURED BY
 SOUTHEASTERN DISTRIBUTORS
 INC. OR APPROVED EQUAL

COVER SHALL MEET LOAD
 REQUIREMENTS OF SECTION
 5.1 - AASHTO M-36-04

ALL DIMENSIONS SHOWN ARE
 APPROXIMATE BASED ON
 MANUFACTURERS DESIGN

SPECIFICATIONS FOR METER BOXES
 ARE PUBLISHED IN THE WATERLINE
 & SEWER LINE CONSTRUCTION
 STANDARD SPECIFICATIONS (LOCATED
 ON THE ENGINEERING & INSPECTIONS
 WEBSITE - ONLINE PUBLICATIONS)



BXD END VIEW

City of Greensboro Water Resources Department	Meter Box and Cover 5/8" X 3/4" & 3/4" Meters	GSO-8
		REVISED 05-19-21