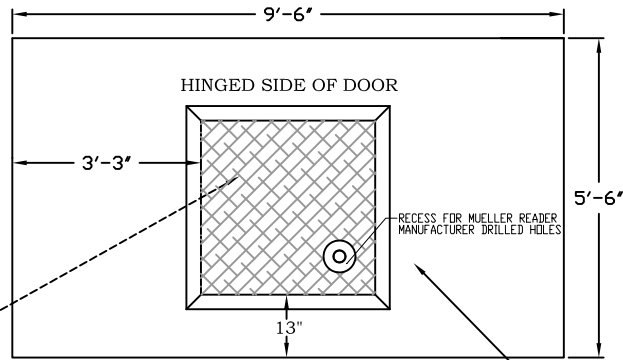


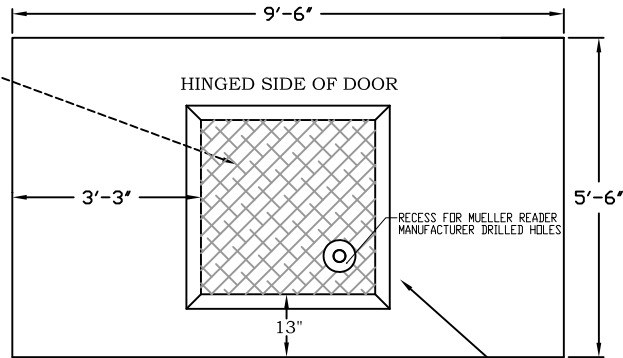
6" THICK REINFORCED CONCRETE SLAB
NON-LOAD BEARING



U.S. FOUNDRY APS 300, OR APPROVED EQUAL 36" x 36"
ACCESS DOOR W/ STAINLESS STEEL HARDWARE,
LIFTING SPRINGS AND SLAM LOCK MECHANISM

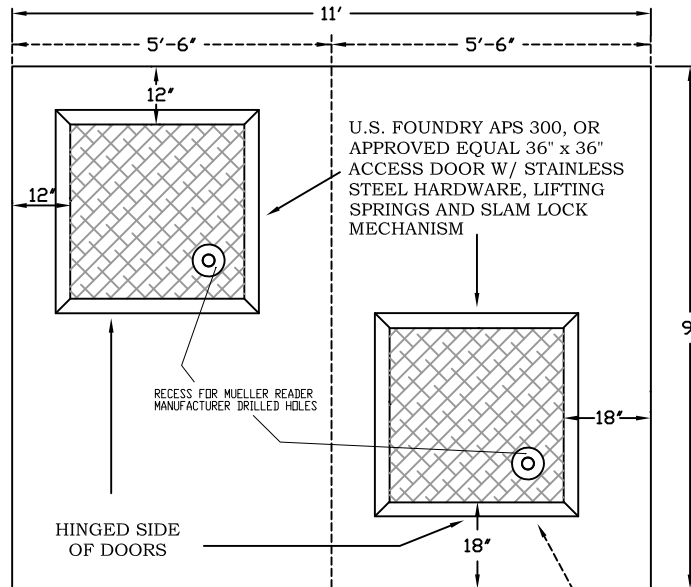
USE ONE MODULE DOOR
FOR TURBINE METERS.
USE TWO MODULE DOOR
FOR COMPOUND METERS.
SEE DWG'S GSO-1 & GSO-2
FOR DOOR DETAILS.

8" REINFORCED CONCRETE SLAB
CONSTRUCTED FOR H-20 TRAFFIC LOADING



U.S. FOUNDRY AHD, OR APPROVED EQUAL 36" x 36"
ACCESS DOOR W/ STAINLESS STEEL HARDWARE,
LIFTING SPRINGS AND SLAM LOCK MECHANISM

TWO PIECE
6" REINFORCED CONCRETE NON-LOAD BEARING
SLABS FOR 6" & 8" FM METER VAULTS



SEE DWG. GSO-2
FOR DOOR DETAIL.