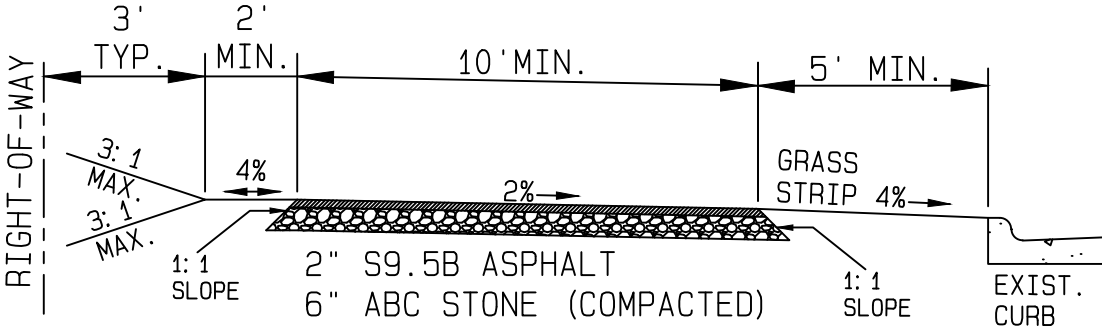


TRAIL IN PARK SETTING



TRAIL PARALLEL TO STREET

NOTES:

1. MINIMUM WIDTH MUST BE MAINTAINED UNLESS LEGITIMATE CONSTRAINTS DICTATE OTHERWISE.
2. DIRECTION OF CROSS SLOPE FOR **TRAIL IN PARK SETTING** TO BE DETERMINED BY TOPOGRAPHICAL CONDITIONS.
3. FOR TRAIL NEXT TO ROADWAY, THE AASHTO RECOMMENDED MINIMUM GRASS STRIP BETWEEN THE TRAIL AND CURB IS 5 FT. IF CONSTRAINTS PROHIBIT A 5 FT GRASS STRIP, THEN A PHYSICAL BARRIER OR RAILING SHOULD BE PROVIDED PER AASHTO.

CITY OF GREENSBORO

GREENWAY TRAIL - ASPHALT

STD. NO.

459

REV.

06-16
01-19