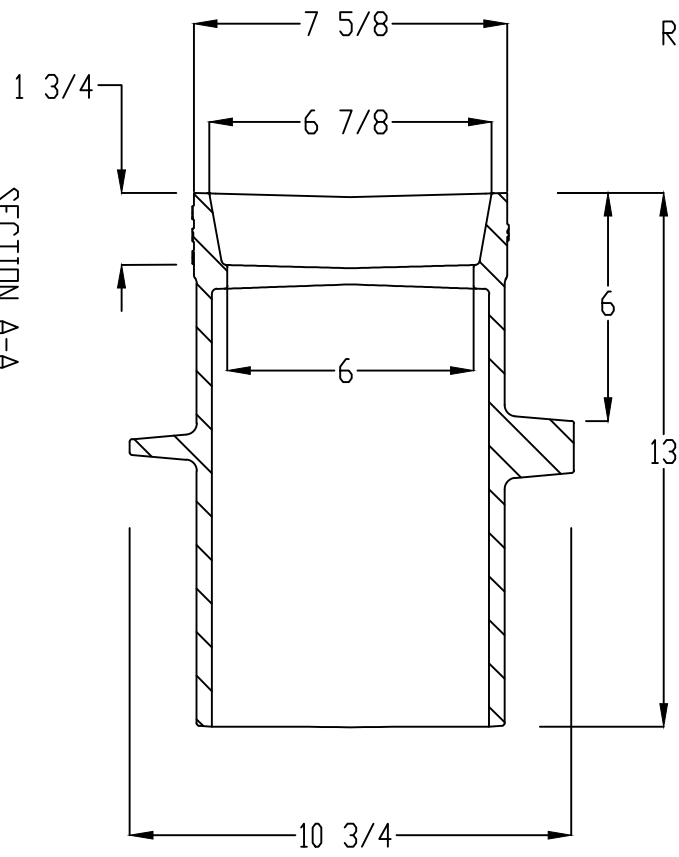
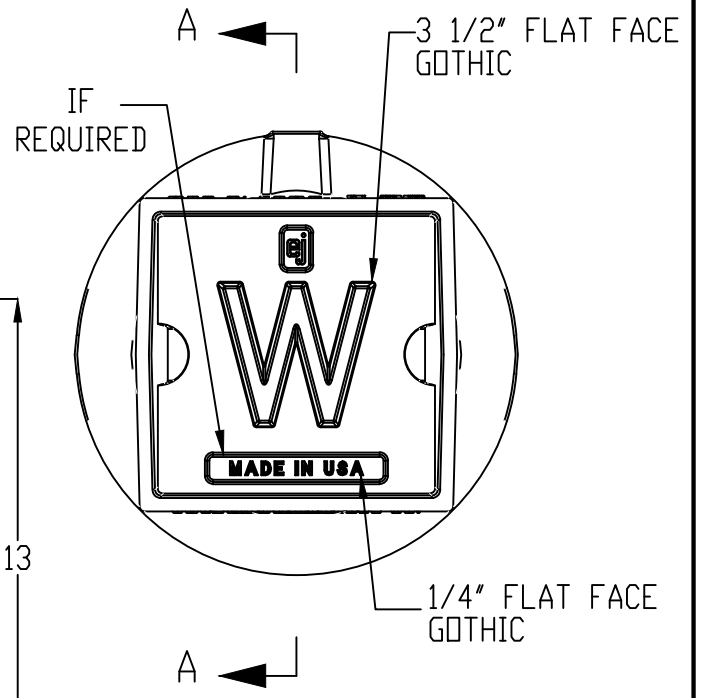


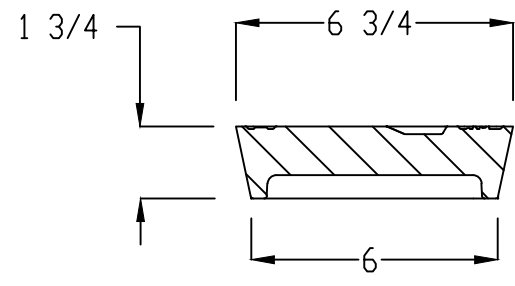
SECTION A-A



SECTION A-A VIEW OF VALVE BOX



TOP VIEW



SECTION VIEW OF VALVE BOX COVER

NOTES:

1. VALVE BOX EXTENSION SHALL BE EITHER 6" DIA. SOIL PIPE OR SCH. 40 PVC PIPE.
2. EXTENSION TO BE ONE SOLID PIECE OF PIPE UNLESS BURIAL DEPTH IS GREATER THAN STANDARD LENGTH OF PIPE. A BELL OR COUPLING SHALL BE UTILIZED AT THE TOP OF VALVE CONNECTION (SEE COG STD #101)
3. LETTER HEIGHT 3-1/2"
4. COUNTERSINK LETTER 3/16"
5. TO BE USED IN PAVED OR NON-PAVED AREAS.
6. ALL CASTINGS SHALL MEET THE REQUIREMENTS OF AASHTO M306.
7. DUE TO VARIATIONS IN CASTINGS OF DIFFERENT MANUFACTURER'S, DIMENSIONS SHALL BE WITHIN REASONABLE TOLERANCES AS PRE-APPROVED BY GREENSBORO WATER RESOURCES DEPARTMENT AND/OR FIELD INSPECTOR PRIOR TO INSTALLATION.
8. VALVE BOX MAY BE REQUIRED TO BE "MADE IN U.S.A." IF FEDERAL FUNDS ARE INVOLVED

**CITY OF GREENSBORO**

WATER VALVE BOX AND  
EXTENSION IN ROADWAY

STD. NO.  
458

REV.  
12-12  
03-15