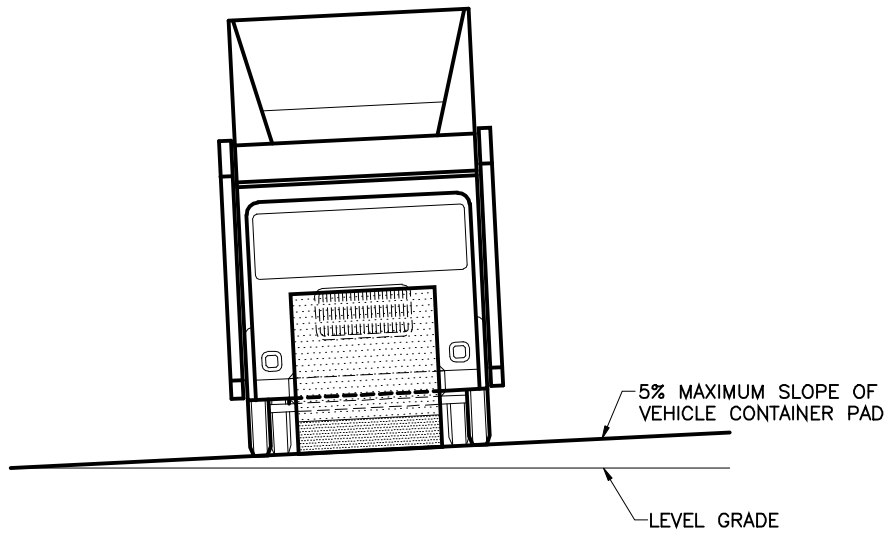


Improper Vehicle approach



Proper Vehicle Approach

# CITY OF GREENSBORO

Vehicle Approach

**STD. NO.**

1006

**REV.**

9/14/07