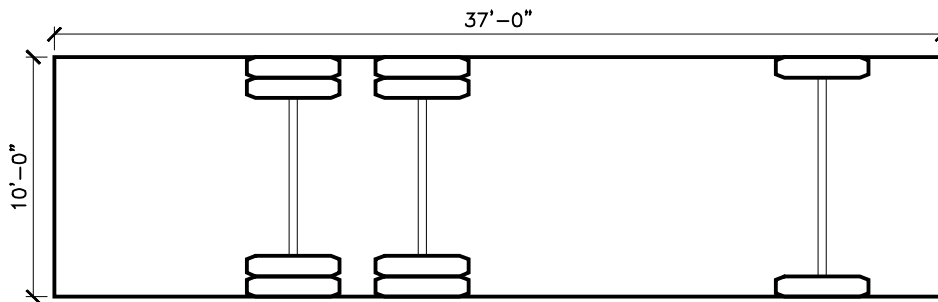


NOTE: VEHICLE APPROACH AND CONTAINER MUST BE ON SAME GRADE.
CONTAINER MUST NEVER BE MORE THAN 24' ABOVE GRADE OF SERVICE VEHICLE.



CITY OF GREENSBORO

Garbage Truck Dimensions

STD. NO.

1004

REV.

9/12/07