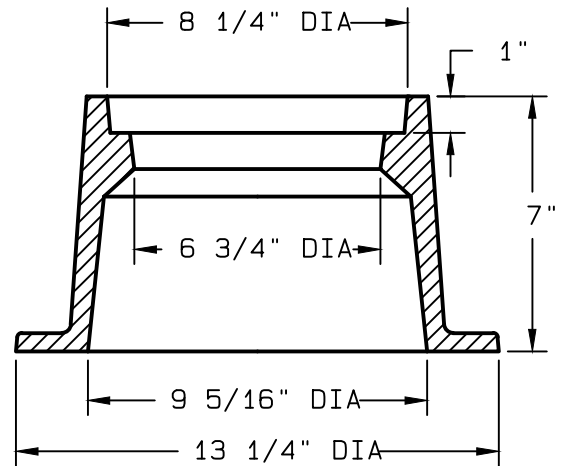
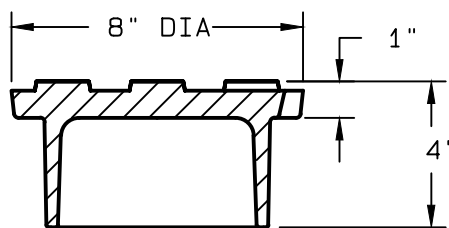


C/O TOP (TOP VIEW)



C/O BASE
(SECTION VIEW)



C/O TOP (SECTION VIEW)

NOTES:

1. LOAD BEARING CLEAN-OUT TO BE INSTALLED IN LOAD BEARING AREAS AS DESIGNATED BY THE DESIGN ENGINEER OR FIELD ENGINEER.
2. THE CLEANOUT ASSEMBLY IS TO BE SET A MIN. 1/2", NO GREATER THAN 4", FROM THE LOAD BEARING ASSEMBLY COVER.
3. THE DESIGN SHOULD BE A HEAVY DUTY TYPE, GRAY IRON (ASTM A48 CL35B), WITH A DIPPED COATING.
4. A 15"X15" CONCRETE PAD IS REQUIRED FOR THE BASE. THE CONCRETE PAD WILL NEED TO BE 9" THICK (GIVES 2" OF CONCRETE UNDERNEATH THE 7" TALL BASE).
5. ALL CASTINGS SHALL MEET THE REQUIREMENTS OF AASHTO M306.
6. THE CLEAN-OUT COVER AND COVER BASE SHALL BE HEAVY DUTY SUCH AS EJ MODEL 0296523A01 OR COG PRE-APPROVED EQUIVALENT.
7. CLEAN-OUT MAY BE REQUIRED TO BE "MADE IN U.S.A." IF FEDERAL FUNDS ARE INVOLVED.

CITY OF GREENSBORO

SEWER CLEANOUT (C/O) ASSEMBLY,
LOAD BEARING

STD. NO.

224

REV.

12-12