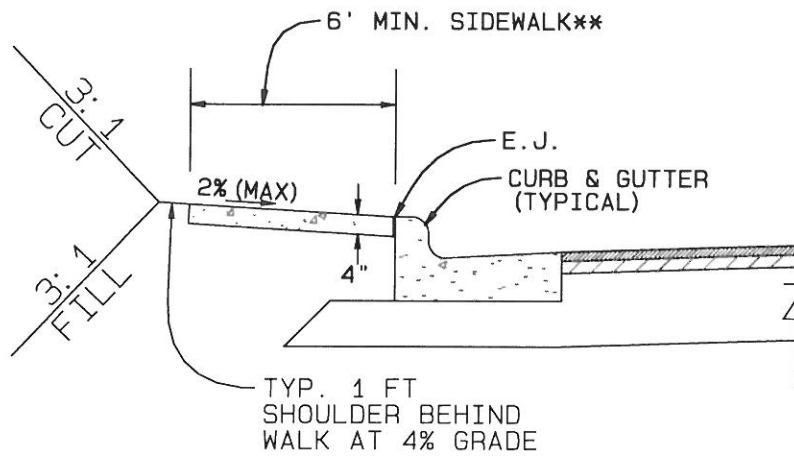


NOTE: SLOPE OF GRASS STRIP MAY BE VARIED IF CONSTRAINTS WARRANT SUCH. ENGINEER'S APPROVAL WILL BE REQUIRED.

TYPICAL SECTION WITH GRASS STRIP



TYPICAL SECTION WITHOUT GRASS STRIP

** MINIMUM SIDEWALK WIDTH IS 6' WHEN VARIOUS CONSTRAINTS MAKE A GRASS STRIP ("A") NOT FEASIBLE. ALL CASES WHERE A GRASS STRIP IS LESS THAN THE MINIMUM STATED IN THE CHART ON SHEET 2 OR IS NONEXISTENT MUST BE APPROVED BY THE GREENSBORO DEPT. OF TRANSPORTATION.

NOTE:
GRASS STRIP WIDTH, SIDEWALK WIDTH & SIDEWALK LOCATION MUST CONFORM TO THE TABLE SHOWN ON SHEET 2 BASED ON THE STREET'S CLASSIFICATION. ANY EXCEPTIONS MUST BE APPROVED BY THE GREENSBORO DEPT. OF TRANSPORTATION

CITY OF GREENSBORO

SIDEWALK STANDARD FOR USE WITH TYPICAL STREET SECTIONS

STD. NO.	REV.
418-A	09-11 12-11 06-13

STREET CLASSIFICATION	GRASS STRIP "A"	SIDEWALK LOCATION
LOW DENSITY LOCAL	3' MIN.	MIN. 1 SIDE
MEDIUM DENSITY LOCAL	3' MIN.	MIN. 1 SIDE
HIGH DENSITY LOCAL RESIDENTIAL	3' MIN.	BOTH SIDES
HIGH DENSITY LOCAL NON-RESIDENTIAL	3' MIN.	BOTH SIDES
RESIDENTIAL COLLECTOR	3' MIN.	MIN. 1 SIDE
NON-RESIDENTIAL COLLECTOR	3' MIN.	MIN. 1 SIDE
MINOR THOROUGHFARE	5' MIN.	BOTH SIDES
MAJOR THOROUGHFARE	5' MIN.	BOTH SIDES

NOTES:

1. *SIDEWALK WIDTH IS **5' MIN.** FOR ALL STREET CLASSIFICATIONS.*
2. *ALL ROADWAY PROJECTS MUST CONFORM TO THE STANDARDS FOUND IN TABLES 5.1 - 5.6 IN THE "STREET DESIGN STANDARDS MANUAL" PUBLISHED BY THE CITY OF GREENSBORO'S DEPT. OF TRANSPORTATION.*
3. *THIS STANDARD, #418-A, IS A SUMMARY OF THOSE DESIGN GUIDELINES AS THEY RELATE TO SIDEWALK LOCATION, SIDEWALK WIDTH AND GRASS STRIP WIDTH AS A FUNCTION OF STREET CLASSIFICATION.*
4. *ANY EXCEPTIONS TO THE GUIDELINES CONTAINED IN THIS STANDARD MUST BE APPROVED IN ADVANCE BY THE GREENSBORO DEPT. OF TRANSPORTATION.*
5. *A 1/2" EXPANSION JOINT WILL BE REQUIRED AT THE END OF ALL CONCRETE CURB RAMPS AND EVERY 30 FT. THROUGHOUT THE SIDEWALK. TOOL JOINTS WILL BE REQUIRED FOR EVERY 5 FT. FOR 5 FT. WIDE SIDEWALKS AND EVERY 6 FT. FOR 6 FT. WIDE SIDEWALKS. EXPANSION AND TOOL JOINTS SHALL NOT EXCEED 1/2". WHEN SIDEWALKS INTERSECT A CURB LINE OR DRIVEWAY, AN EXPANSION JOINT SHALL BE INSTALLED.*
6. *USE CLASS "B" CONCRETE; SIDEWALKS ARE TO BE 4" THICK*
7. *SIDEWALK CROSS SLOPE TARGET IS 2%. CROSS SLOPE CANNOT BE GREATER THAN 2% AND CANNOT BE LESS THAN 1%.*

CITY OF GREENSBORO

SIDEWALK STANDARD FOR USE WITH TYPICAL STREET SECTIONS

<i>STD. NO.</i>	<i>REV.</i>
418-A	09-11 12-11 06-13